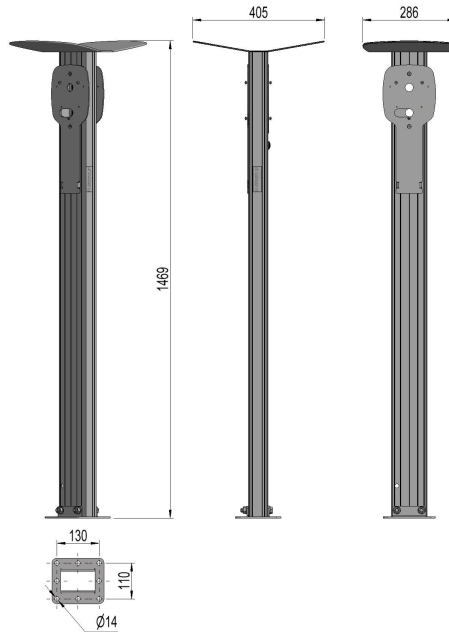


## 1511210 - Charging Pole SL1DB



Description	Charging pole for two EV chargers with base plate. Mounting plate for Wallbox Pulsar and ENUA Charge. The pole got connectors for 3 phase IT and TN systems.
Unit	PSC
Weight	8 kg
Material	Aluminium, anodised-brown
Fastening method	Baseplate