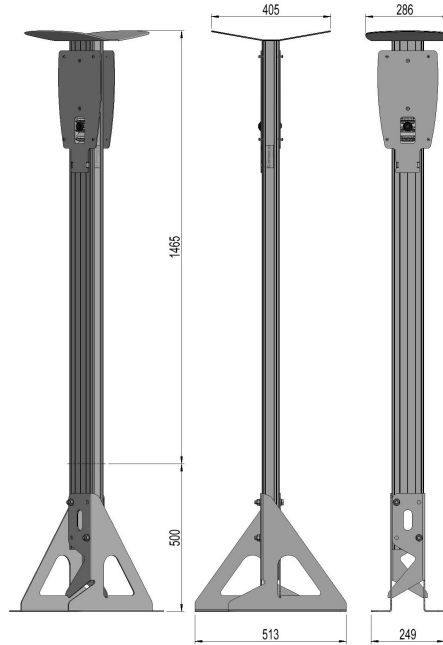


1511212 - Charging pole SL3DA



Description	Charging pole for two EV chargers with anchor for ground foundation. Mounting plate for Zaptec Pro. The pole got connectors for 3 phase IT and TN systems.
Unit	PSC
Weight	11,1 kg
Material	Aluminium, anodised-brown
Fastening method	Anchor for ground foundation