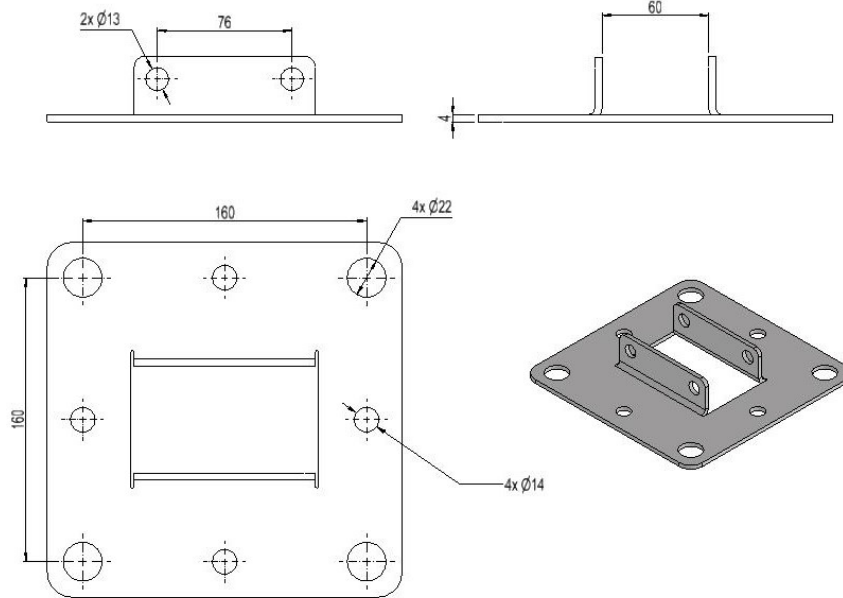


1511214 - Post base bracket MTBR



Description	Post base bracket Charging pole for light post base. Hole center distance 160 x160 mm, Ø22.
Unit	PSC
Weight	1,2 kg
Material	Steel galvanised
Fastening method	Baseplate