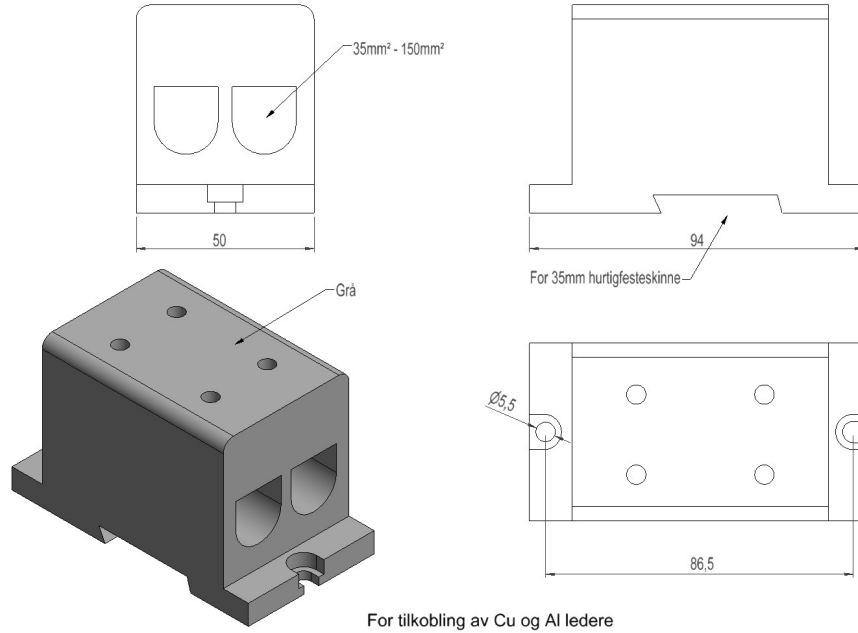


2836307 - Connection clamp DTK2-150



Description	Connection clamp for circuit breaker cabinet.
Unit	PSC
Weight	0,3 kg