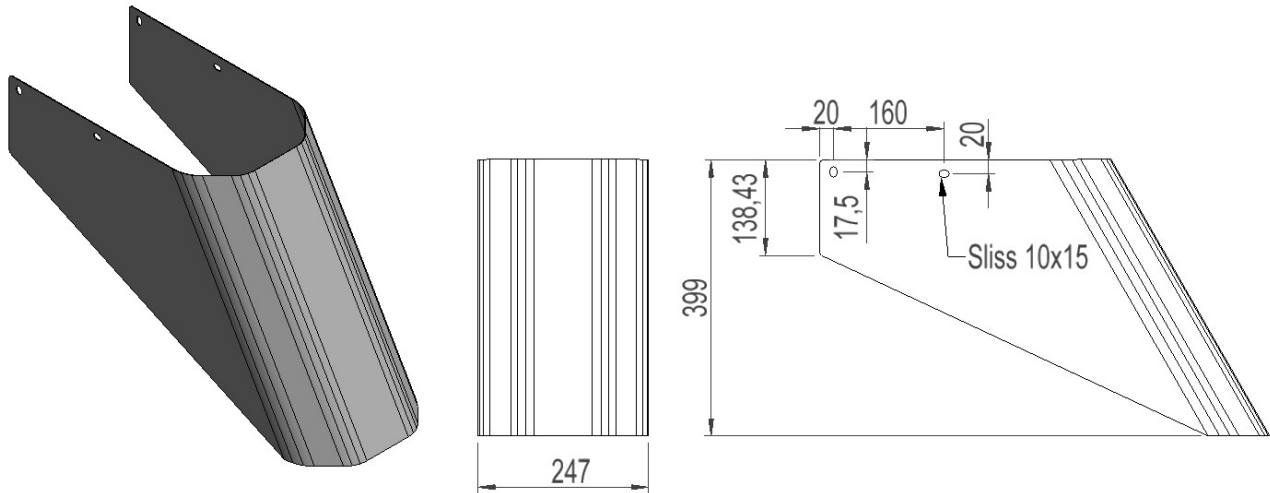


## 2836336 - Ground protection BEFB



Description	Ground protection for circuit breaker cabinet.
Unit	PSC
Weight	4,211 kg
Material	Steel galvanised