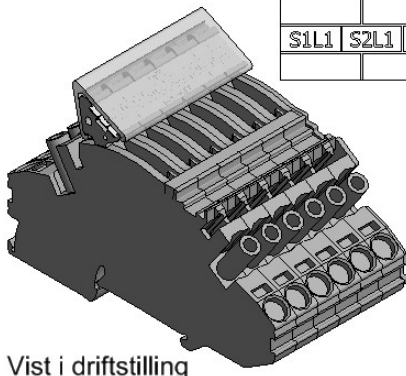
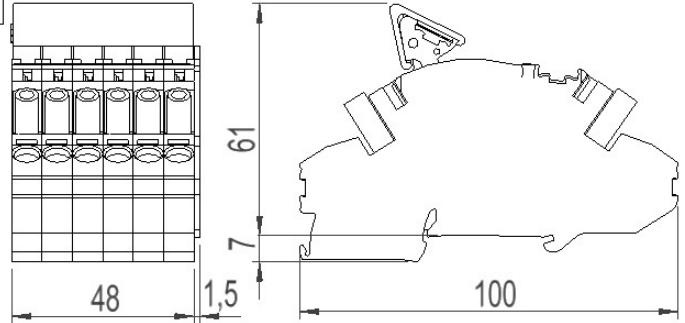


2836353 - Disconnection clamp UNI-SK3



Drift						↑
S1L1	S2L1	S1L2	S2L2	S1L3	S2L3	
Kortslutt						↓

Merking



Description	Disconnection clamp for 3 current transformers. To be used in Smartgrid cabinet.
Unit	PSC
Weight	0,3 kg
Voltage/System configuration	400V TN-S