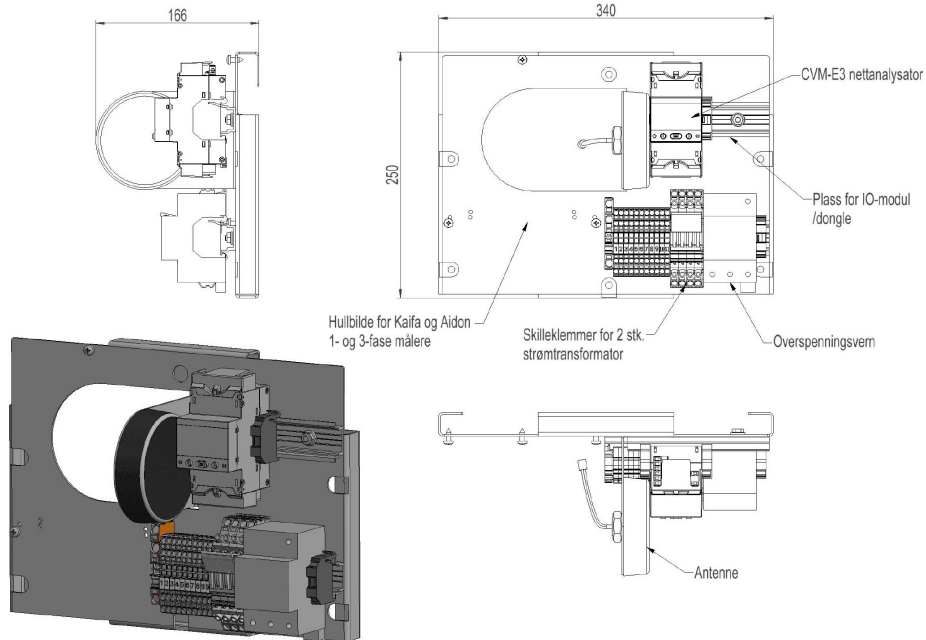


2836372 - Module plate NSO-230IT-M



Description	Module plate for grid monitoring of 230V IT-grid. Detects earth faults by measuring phase-ground voltages. For installation inside transformer substations. Adapted to Kaifa and Aidon smart meters.
Unit	PSC
Weight	2 kg
Material	Aluminium
Voltage/System configuration	230V IT
Fastening method	Wall
Output antenna	MCX-m