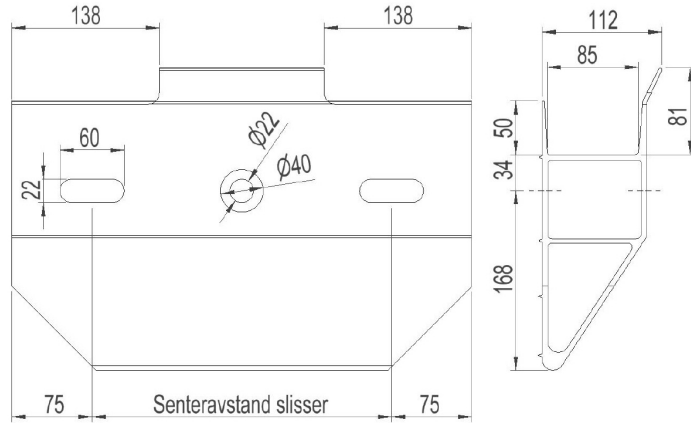
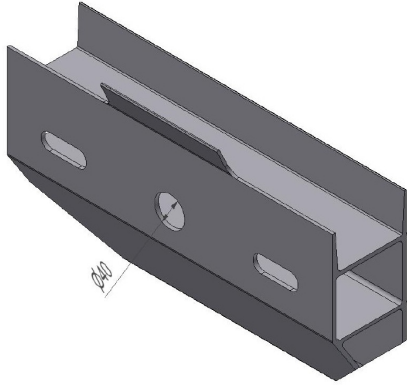


2836406 - Crossbar support ST83-34



Elnummer	Type	Senteravstand slisser
2836739	ST83S	280mm
2836406	ST83-34	340mm
2836424	ST83-42	420mm

Description	Support for crossbar width 83mm. Oblong hole distance 340mm.
Unit	PSC
Weight	4,324 kg
Material	Aluminium, anodised-brown
Pole fastening	Bolt, 340mm-single pole clamp