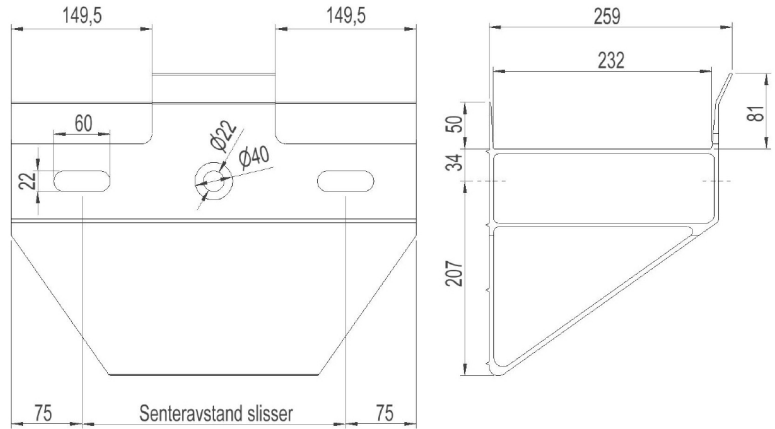
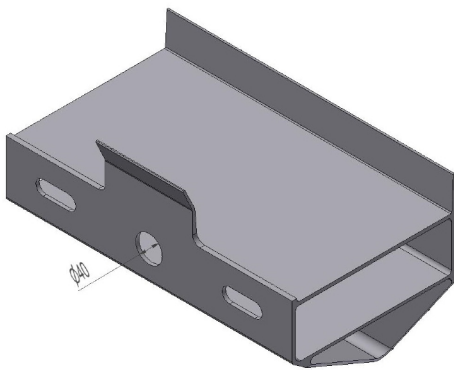


## 2836408 - Crossbar support ST230-34



EInummer	Type	Senteravstand slisser
2836745	ST230S	280mm
2836408	ST230-34	340mm
2836424	ST230-42	420mm
2836426	ST230-50	500mm

Description	Support for crossbar width 230mm. Oblong hole distance 340mm. Always to be used with crossbar profile 7 (230x160).
Unit	PSC
Weight	6,697 kg
Material	Aluminium, anodised-brown
Pole fastening	Bolt, 340mm-single pole clamp