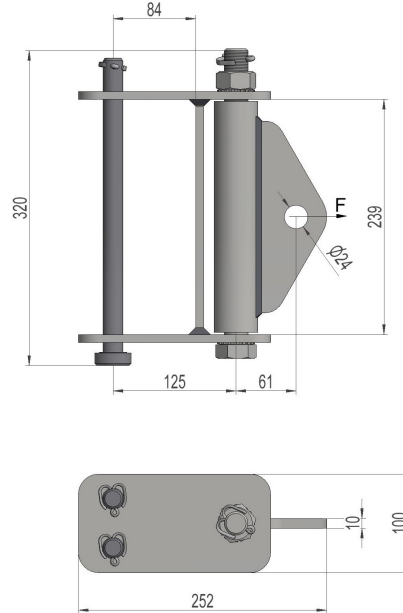


## 2836412 - Phase bracket F230E



Description	Phase bracket . one-sided. For crossbar P7, width 230. Unit set of 3.
Unit	SET
Weight	9 kg
Material	Steel galvanised
Breaking load (static)	170kN
Hardness	Flag; 200HB