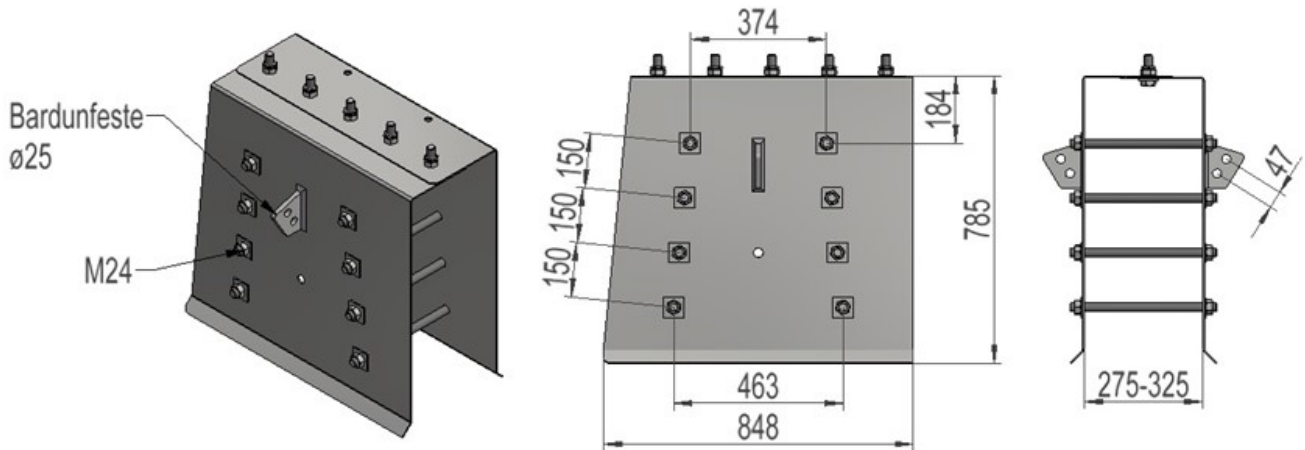


## 2836423 - Top bracket TFK1-5-325



Description	Top bracket for pole Ø275-325mm (1:5). Crossbar to be mounted on top.
Unit	PSC
Weight	72 kg
Material	Steel galvanised