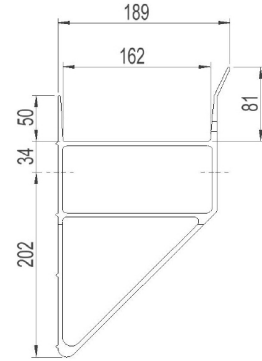
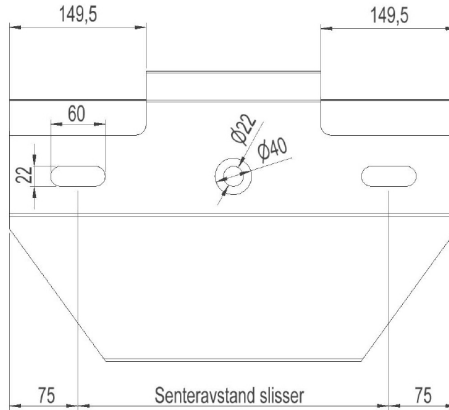
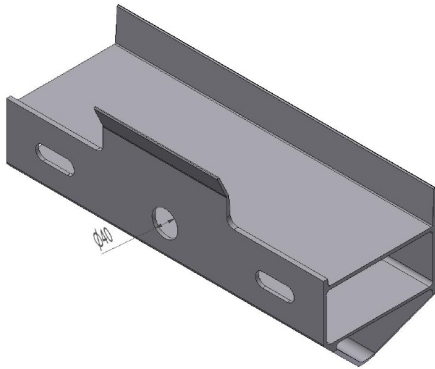


2836427 - Crossbar support ST160-42



EInummer	Type	Senteravstand slisser
2836732	ST160S	280mm
2836407	ST160-34	340mm
2836427	ST160-42	420mm
2836428	ST160-50	500mm
2836494	ST160-58	580mm

Description	Support for crossbar width 160mm. Oblong hole distance 420mm. Always to be used with crossbar profile 7 (160x230).
Unit	PSC
Weight	6,699 kg
Material	Aluminium, anodised-brown
Pole fastening	Bolt, 420mm-single pole clamp