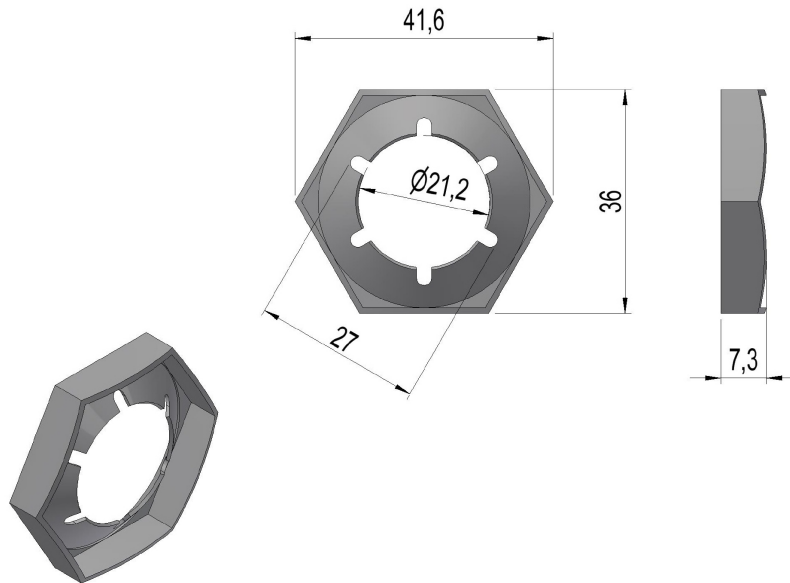


2836447 - Counter nut PAL-M24 VF DIN7967



Description	Self locking counter nut to secure nuts. These are made of spring-like steel and is a better alternative than using regular nuts as counter nut.
Unit	PSC
Weight	0,095 kg
Material	Steel galvanised