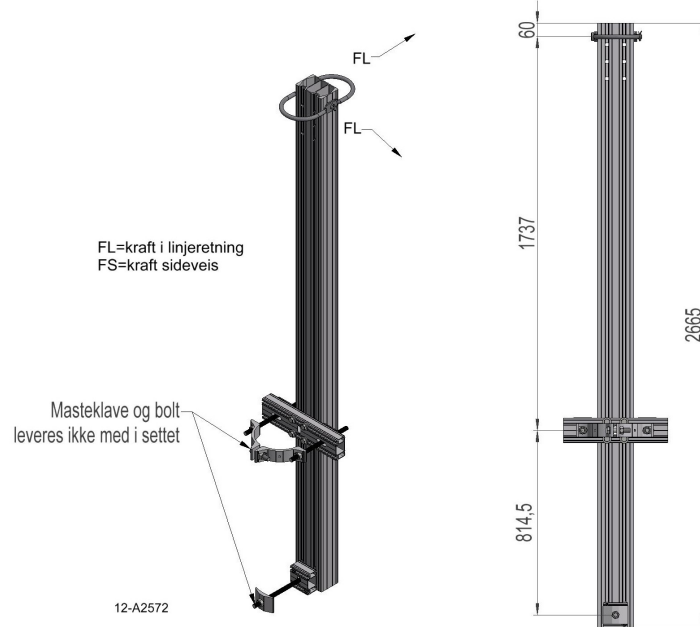


## 2836454 - Tower TTL-A



Description	Tower for overhead shield. Anchoring. Phase bracket included. Pole clamp and fasteners are not included.
Unit	PSC
Weight	42 kg
Material	Aluminium, anodised-brown