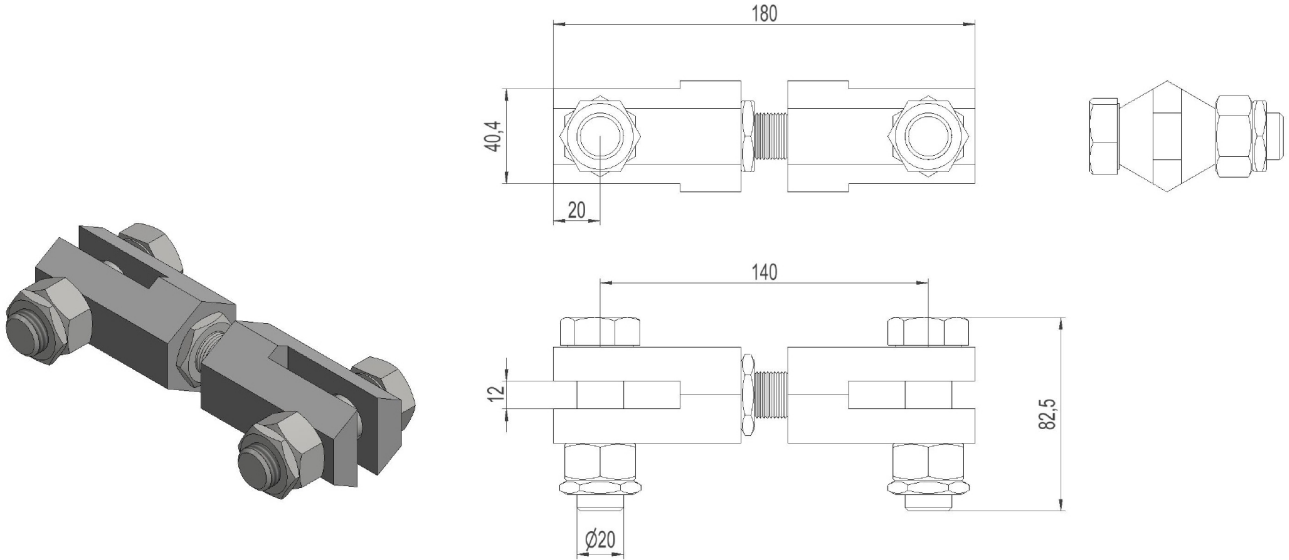


2836464 - Turnbuckle SF20-18



Description	Turnbuckle M20. Length 180mm.
Unit	PSC
Weight	0,8 kg
Material	Steel, stainless 316