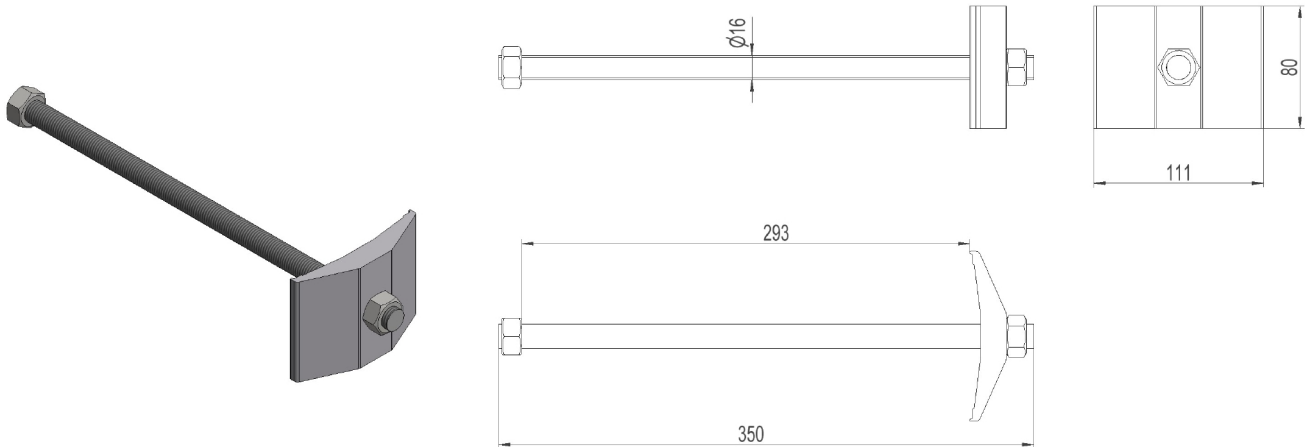


## 2836465 - Mounting bolt MBS16-350



Description	Mounting bolt with aluminium washer for fastening support rod for crossarm on single composite utility pole.
Unit	PSC
Weight	0,43 kg
Material	Steel galvanised
Material-2	Aluminium, anodised-brown