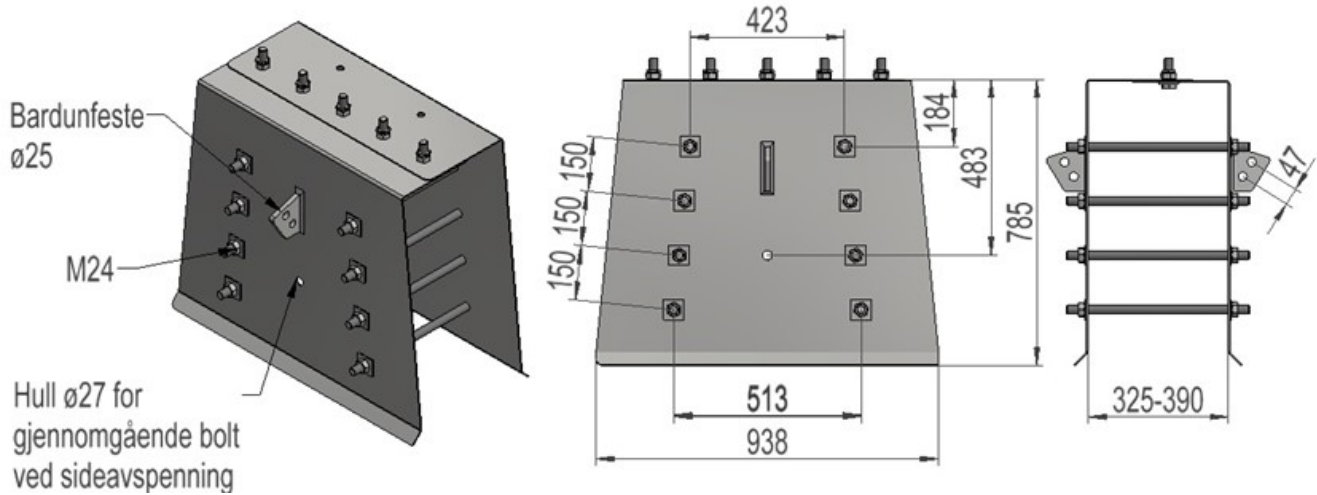


2836468 - Top bracket TFK1-5-390



Description	Top bracket for pole Ø325-390mm (1:5). Crossbar to be mounted on top.
Unit	PSC
Weight	79 kg
Material	Steel galvanised