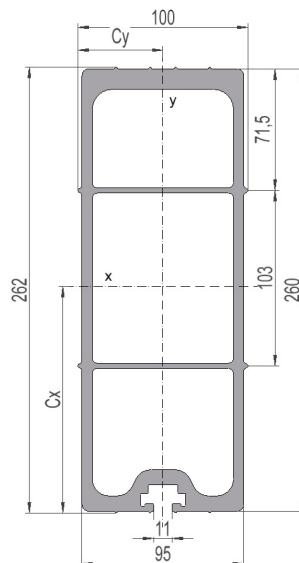


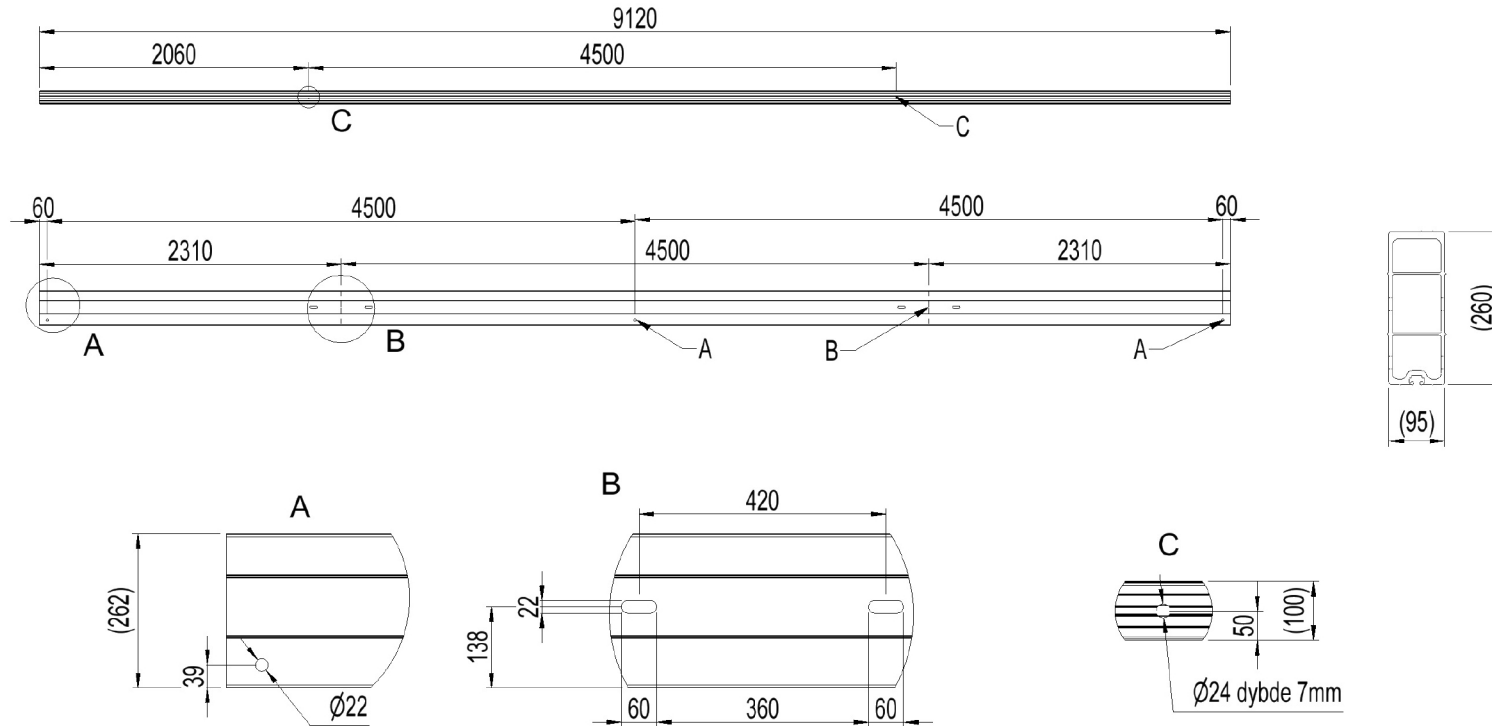
## 2836491 - Load-bearing crossbar T4545-42-9S

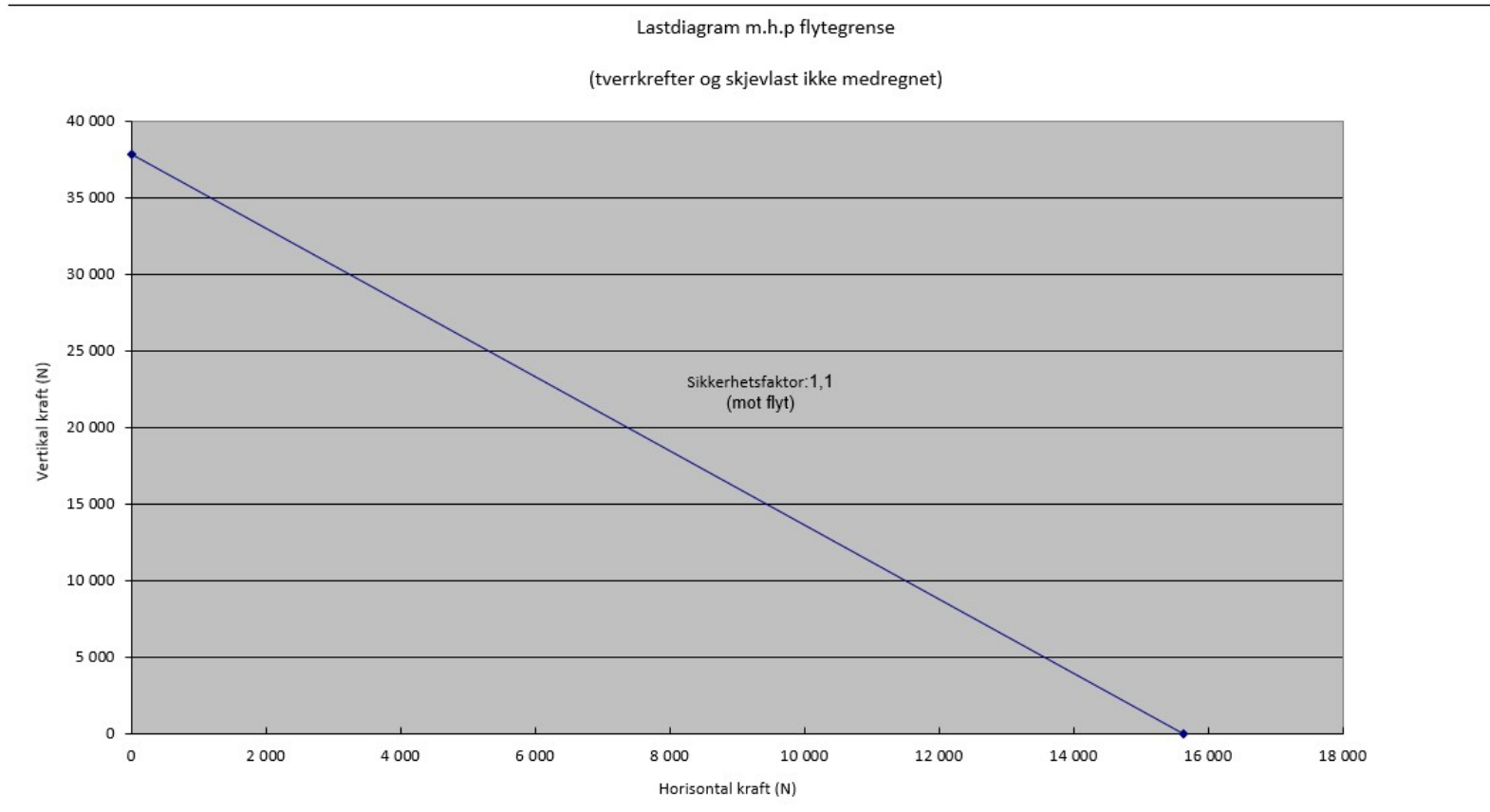
Cross arm type	H/A-pole
Pole distance	4,5m
Phase distance	4,5m
Pole fastening	420mm-single pole clamp

### Crossbar profile P9 (standing)

Weight: (kg/m)	15.455
Cross section: (mm <sup>2</sup> )	5724
Material:	Extruded aluminum, brown anodized
Alloy:	AlMgSi 6082-T6
Moment of resistance: (mm <sup>3</sup> )	W <sub>x</sub> = 373 840 W <sub>y</sub> = 154 772
Area moment of inertia: (mm <sup>4</sup> )	I <sub>x</sub> = 49 796 982 I <sub>y</sub> = 7 738 580
Center distance for I <sub>x</sub> : (mm)	C <sub>x</sub> = 133,20
Center distance for I <sub>y</sub> : (mm)	C <sub>y</sub> = 50,00
Minimum yield strength 0,2: (N/mm <sup>2</sup> )	250
Minimum breaking load: (N/mm <sup>2</sup> )	290







Total bøyning travers i forhold til last

