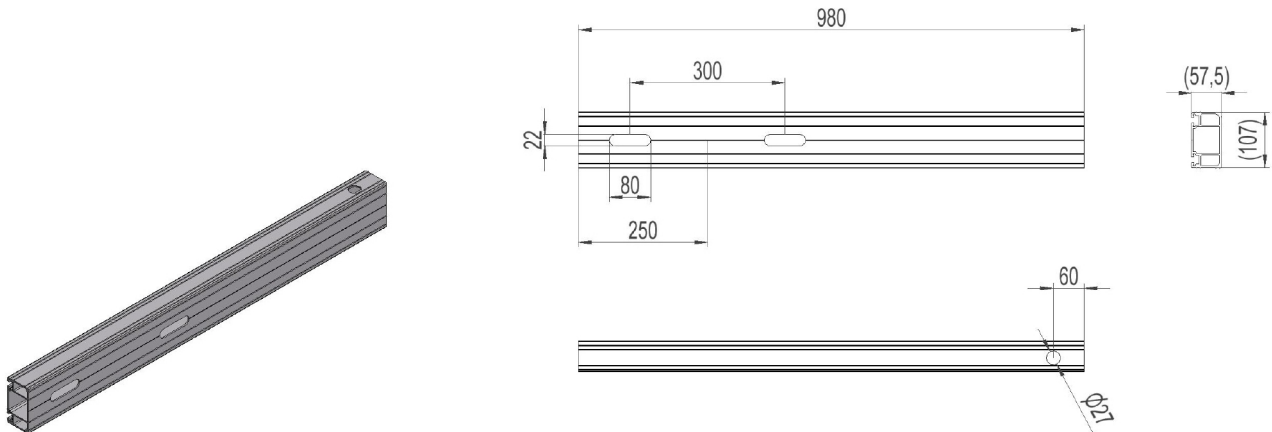


2836495 - Crossbar support insulator TSK



Description	Crossbar for support isolator.
Unit	PSC
Weight	3,724 kg
Material	Aluminium, anodised-brown
Crossbar profile	P1 (57,5x107)