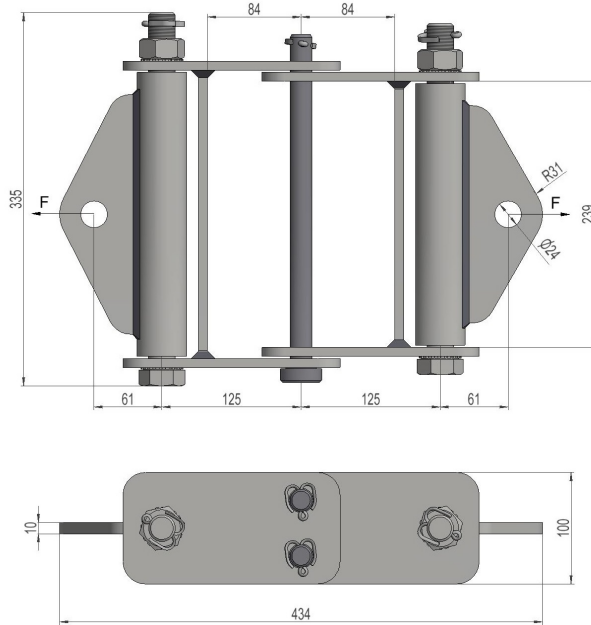


2836609 - Phase bracket F230T



Description	Phase bracket . two-sided. For crossbar P7, width 230. Unit set of 3.
Unit	SET
Weight	36,25 kg
Material	Steel galvanised
Breaking load (static)	170kN
Hardness	Flag; 200HB