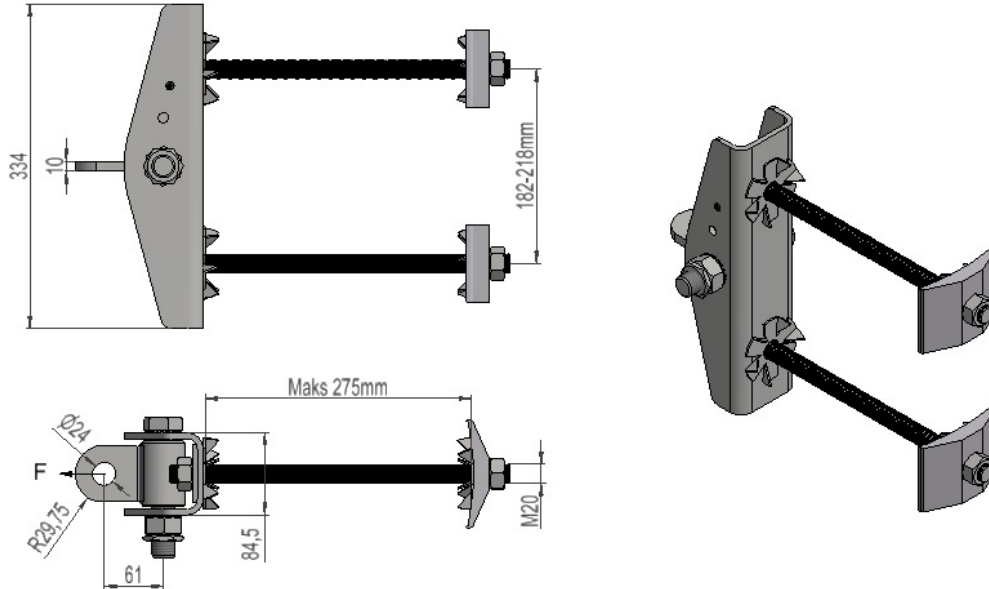


2836613 - Phase/wire bracket FFE160



Description	Phase/wire bracket one-sided. With bolts M20 and bolt distance 182-218mm.
Unit	PSC
Weight	12 kg
Material	Steel galvanised
Breaking load (static)	160kN
Hardness	Flag; 200HB