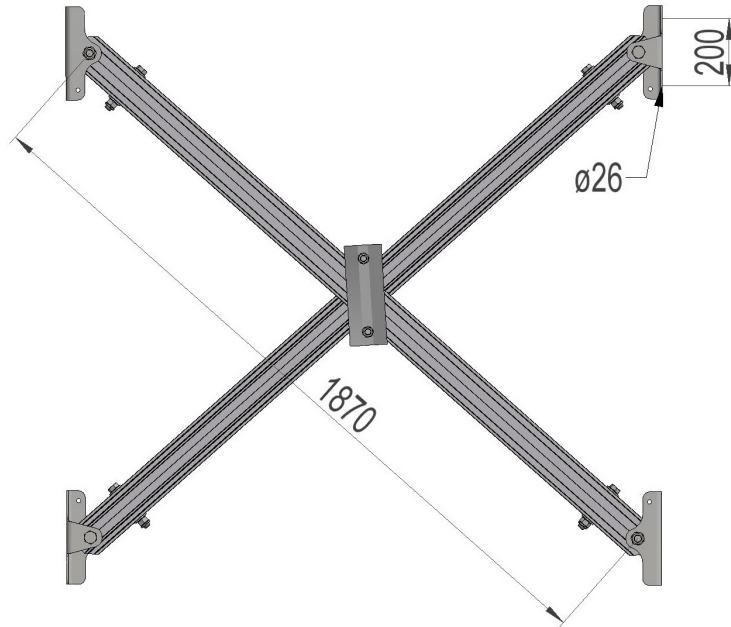


2836616 - Pole diagonal cross STK19



Description	Pole diagonal cross for wood and composite poles. Pole distance: 1,9m. Fixing bracket 2xØ26mm. Fasteners not included.
Unit	PSC
Weight	36 kg
Material	Aluminium, anodised-brown
Pole distance	1,9m
Crossbar profile	P1 (57,5x107)
Breaking load (static)	90kN