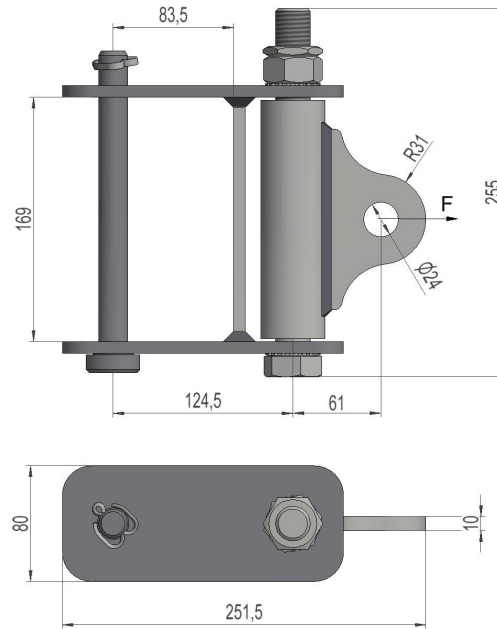


## 2836640 - Phase bracket F160-8E2



Description	anchorsfeste one-sided. For crossbar P8, width 160. Unit set of 2.
Unit	SET
Weight	11,4 kg
Material	Steel galvanised
Breaking load (static)	170kN
Hardness	Flag; 200HB