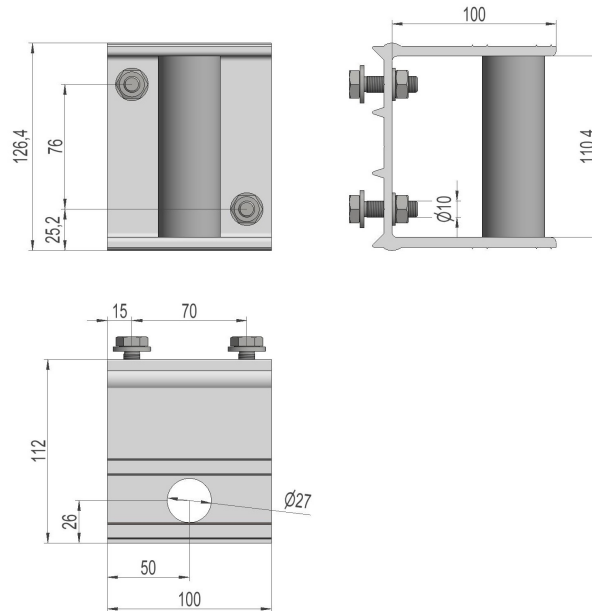


## 2836642 - Insulator bracket PFL



Description	Insulator bracket for crossbars 107x160mm. With fasteners.
Unit	PSC
Weight	0,6 kg
Material	Aluminium, anodised-brown