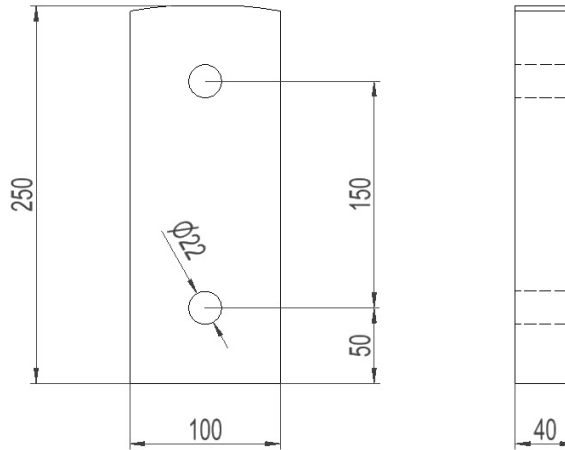


## 2836658 - Antiskid SKK-2-20



Description	Antiskid for poles. 2xM20.
Unit	PSC
Weight	2,6 kg
Material	Aluminium, anodised-brown