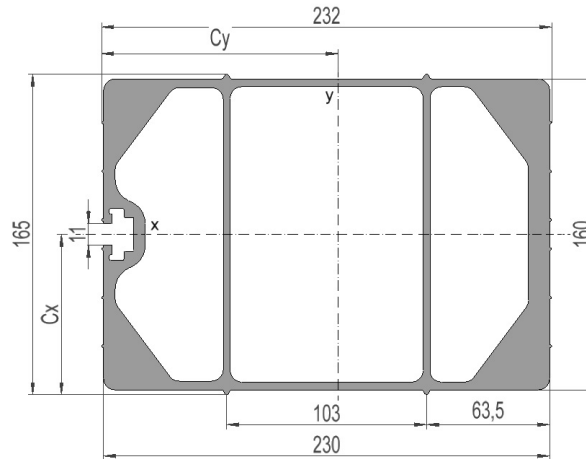


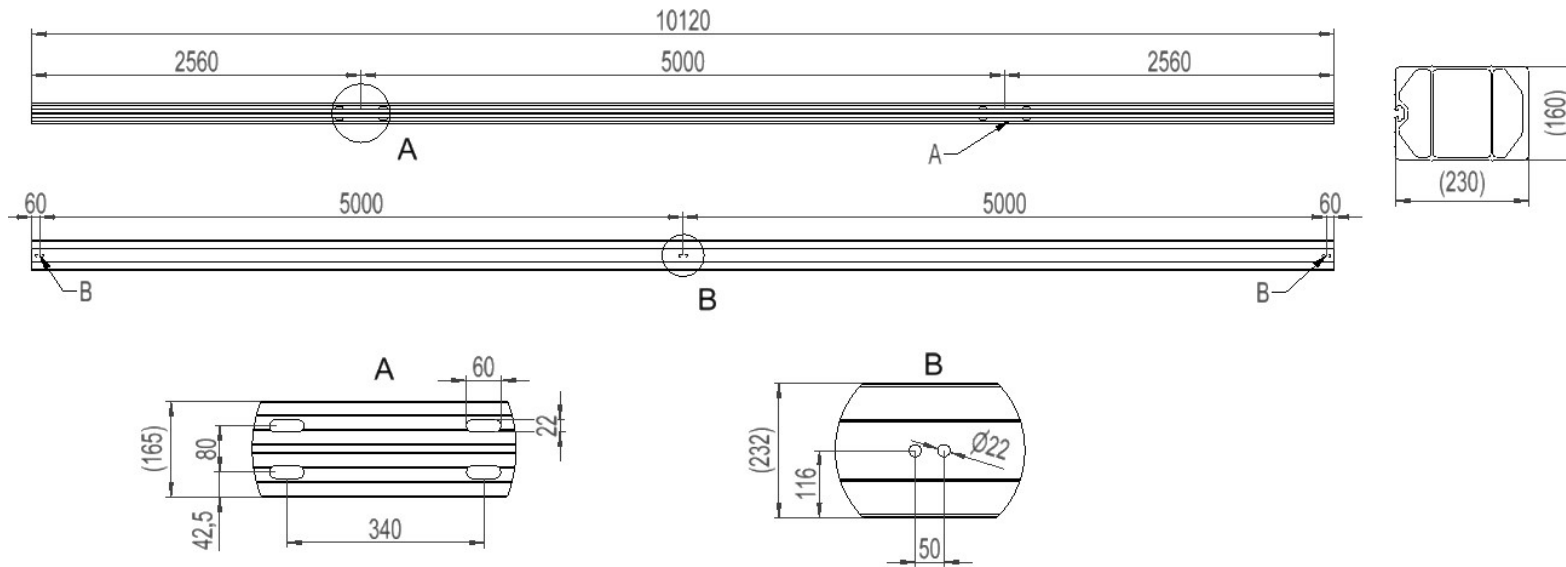
## 2836678 - Anch. crossbar TA5050D-34-7S

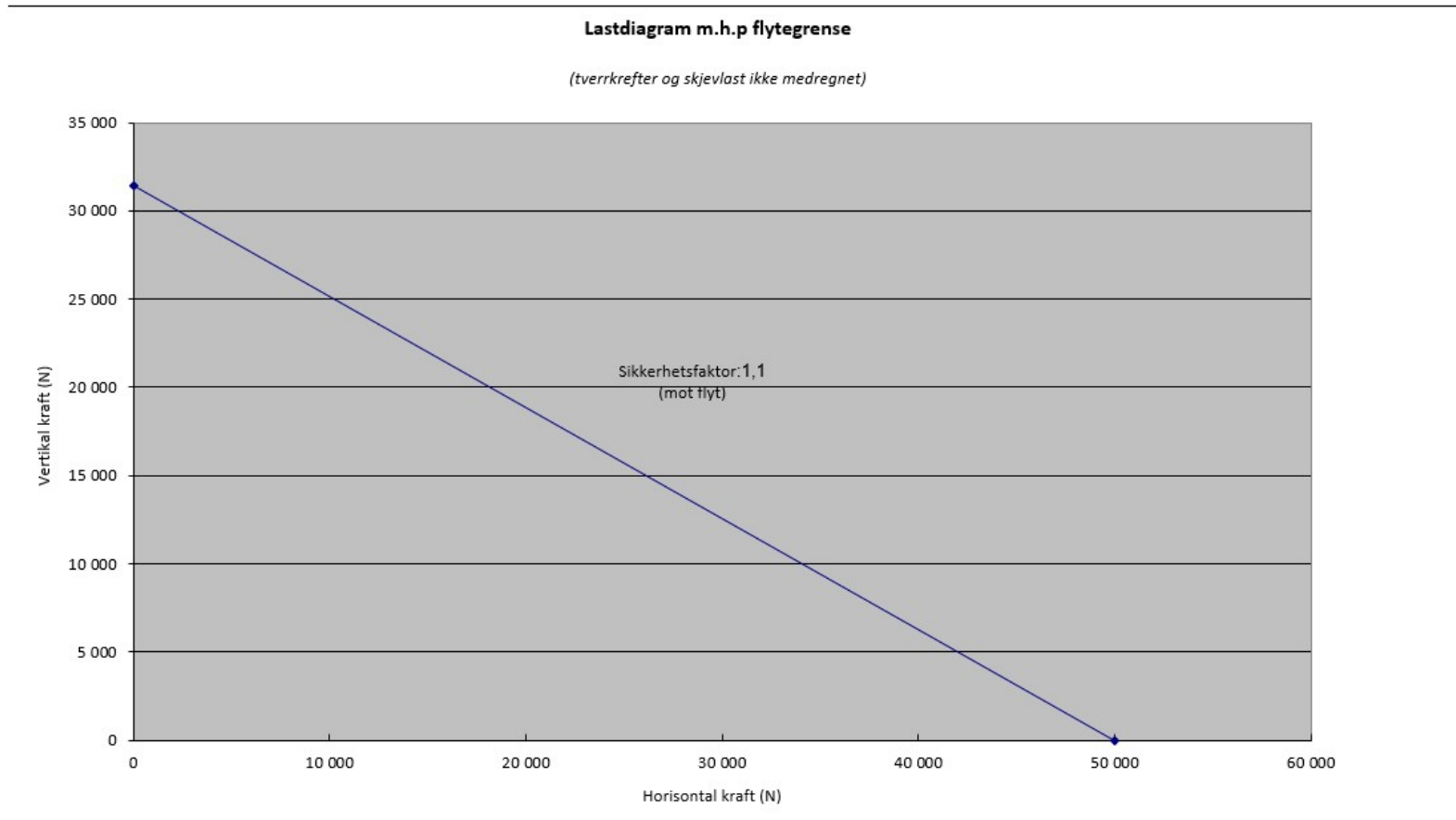
Cross arm type	H/A-pole
Pole distance	5m
Phase distance	5m
Pole fastening	340mm-double pole clamp

### Crossbar profile P7 (laying)

Weight: (kg/m)	22.225
Cross section: (mm <sup>2</sup> )	8243
Material:	Extruded aluminum, brown anodized
Alloy:	AlMgSi 6082-T6
Moment of resistance: (mm <sup>3</sup> )	W <sub>x</sub> = 345 747 W <sub>y</sub> = 550 278
Area moment of inertia: (mm <sup>4</sup> )	I <sub>x</sub> = 28 524 112 I <sub>y</sub> = 67 111 384
Center distance for I <sub>x</sub> : (mm)	C <sub>x</sub> = 82,50
Center distance for I <sub>y</sub> : (mm)	C <sub>y</sub> = 121,96
Minimum yield strength 0,2: (N/mm <sup>2</sup> )	250
Minimum breaking load: (N/mm <sup>2</sup> )	290







Total bøyning travers i forhold til last

