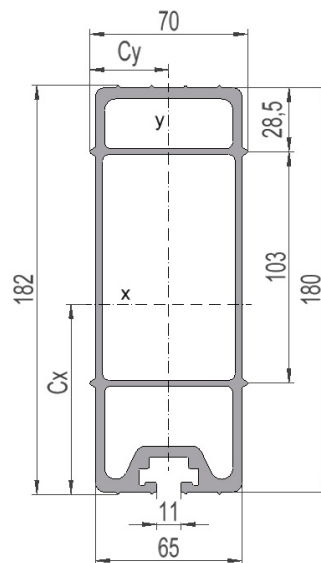


2836682 - Load-bearing crossbar T2525D-34-4S

Cross arm type	H/A-pole
Pole distance	2,5m
Phase distance	2,5m
Pole fastening	340mm-double pole clamp

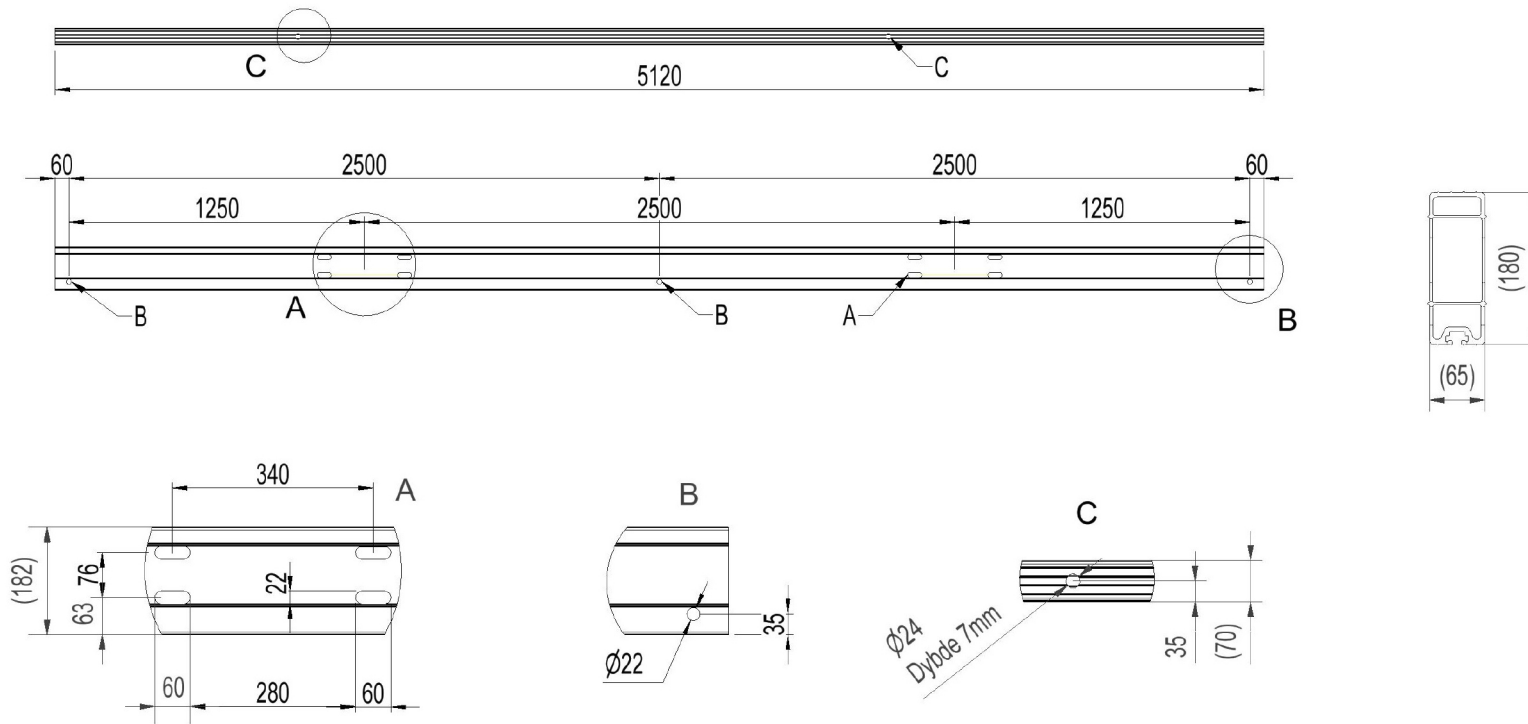
Crossbar profile P4 (standing)

Weight: (kg/m)	6.438
Cross section: (mm ²)	2385
Material:	Extruded aluminum, brown anodized
Alloy:	AlMgSi 6005A-T6
Moment of resistance: (mm ³)	W _x = 120 354 W _y = 42 751
Area moment of inertia: (mm ⁴)	I _x = 10 178 454 I _y = 1 496 283
Center distance for I _x : (mm)	C _x = 84,57
Center distance for I _y : (mm)	C _y = 35,00
Minimum yield strength 0,2: (N/mm ²)	215
Minimum breaking load: (N/mm ²)	255



DATASHEET

2836682 - T2525D-34-4S



Sales and development, Trondheim

www.el-tjeneste.no

Østre Rosten 84G

7075 Tiller

Phone: 976 74 000

Email: info@el-tjeneste.no

Factory and warehouse, Steinkjer

Jæktsmedgata 4

7725 Steinkjer

Phone: 976 74 000

Email: info@el-tjeneste.no

