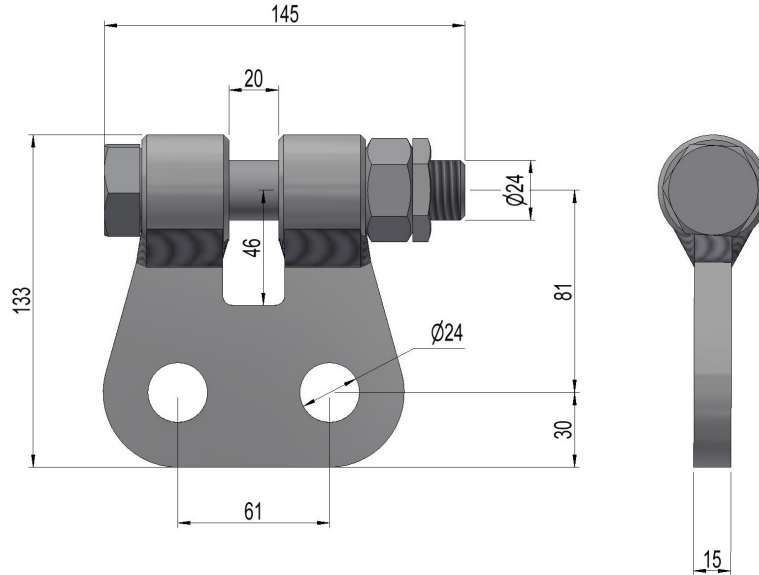


## 2836685 - Stay wire adapter AB-FBV



Description	Stay wire adapter for phase/wire bracket FBV.
Unit	PSC
Weight	1,718 kg
Material	Steel galvanised
Hardness	Flag; 170HB