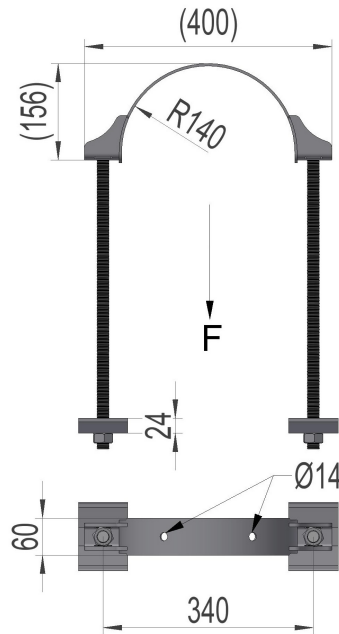


2836690 - Pole clamp MKS2530



Description	Steel pole clamp for pole diameter Ø250-300mm. Hot-dip galvanized. For boltsize M20. Bolts, nuts and washers not included. Selection table with regards to bolt length, crossbar type and pole diameter is on our website.
Unit	PSC
Weight	1,1 kg
Material	Steel galvanised
Breaking load (static)	110kN