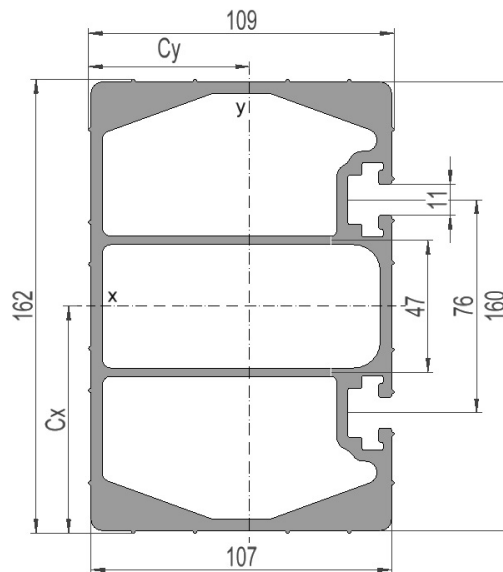


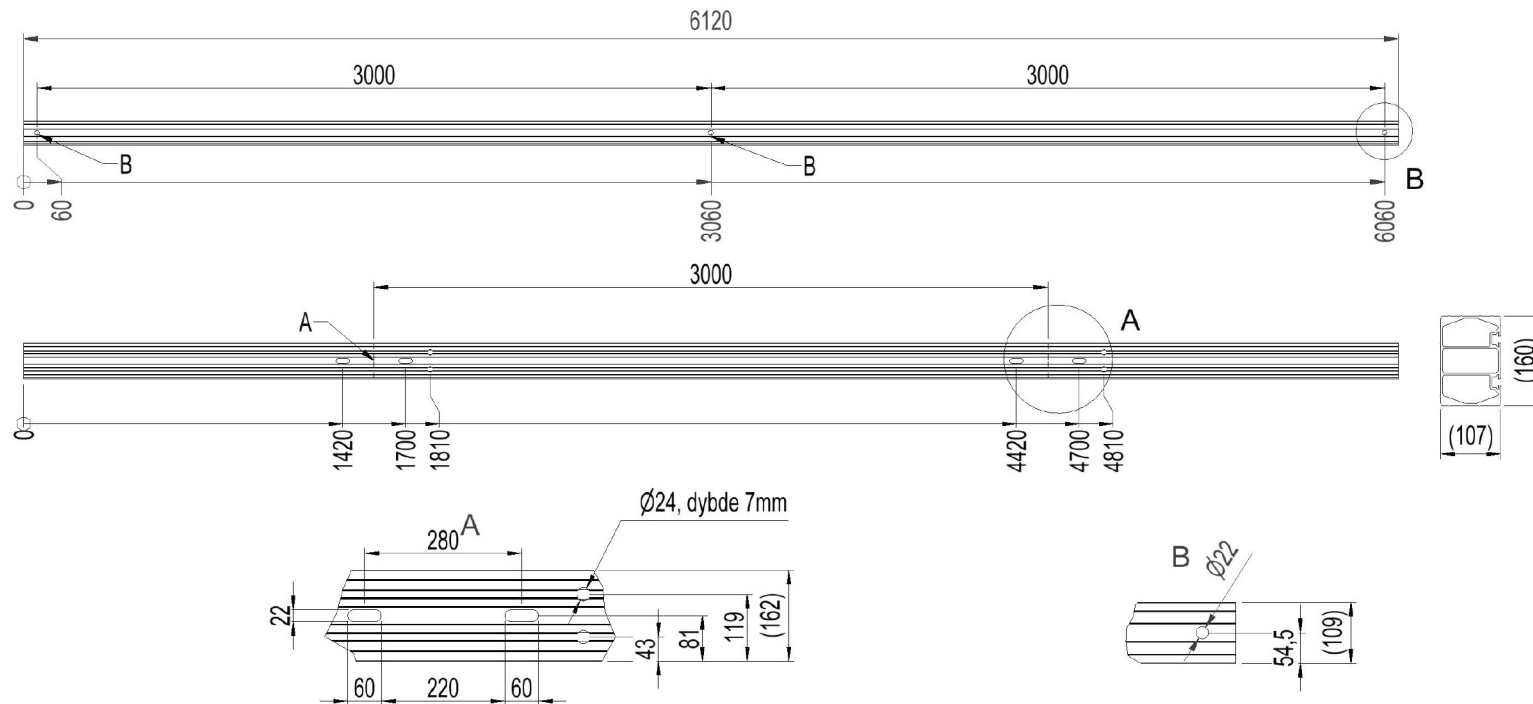
2836703 - Anch. crossbar TA33-3S

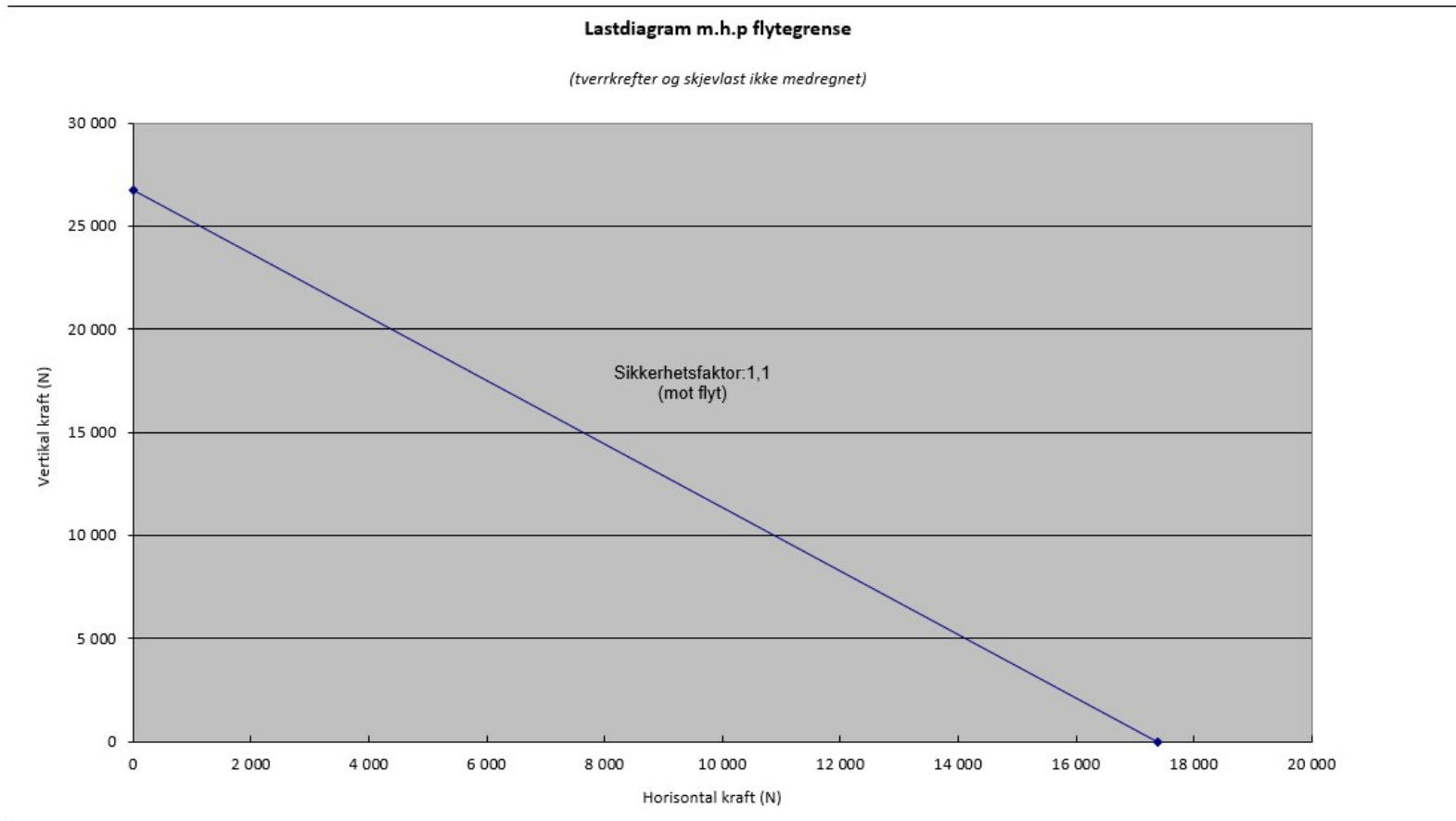
Cross arm type	H/A-pole
Pole distance	3m
Phase distance	3m
Pole fastening	280mm-single poleclamp

Crossbar profile P3 (standing)

Weight: (kg/m)	11.238
Cross section: (mm ²)	4162
Material:	Extruded aluminum, brown anodized
Alloy:	AlMgSi 6082-T6
Moment of resistance: (mm ³)	W _x = 176 412 W _y = 114 771
Area moment of inertia: (mm ⁴)	I _x = 14 286 921 I _y = 6 593 950
Center distance for I _x : (mm)	C _x = 80,99
Center distance for I _y : (mm)	C _y = 57,45
Minimum yield strength 0,2: (N/mm ²)	250
Minimum breaking load: (N/mm ²)	290







Total bøyning travers i forhold til last

