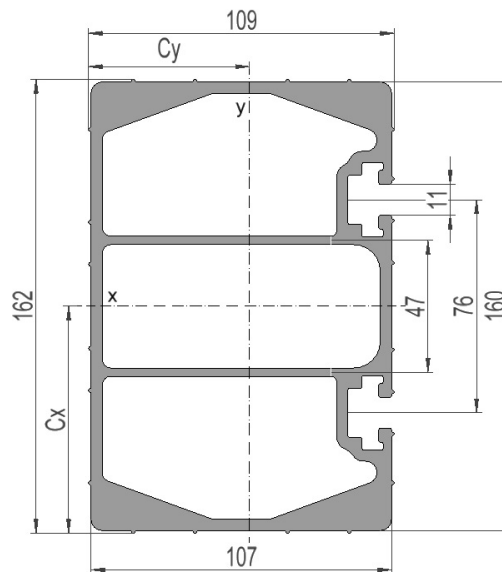


## 2836709 - Anch. crossbar T3A-33-3S

Cross arm type	Triple pole
Pole distance	3m
Phase distance	3m
Pole fastening	280mm-single poleclamp

### Crossbar profile P3 (standing)

Weight: (kg/m)	11.238
Cross section: (mm <sup>2</sup> )	4162
Material:	Extruded aluminum, brown anodized
Alloy:	AlMgSi 6082-T6
Moment of resistance: (mm <sup>3</sup> )	W <sub>x</sub> = 176 412 W <sub>y</sub> = 114 771
Area moment of inertia: (mm <sup>4</sup> )	I <sub>x</sub> = 14 286 921 I <sub>y</sub> = 6 593 950
Center distance for I <sub>x</sub> : (mm)	C <sub>x</sub> = 80,99
Center distance for I <sub>y</sub> : (mm)	C <sub>y</sub> = 57,45
Minimum yield strength 0,2: (N/mm <sup>2</sup> )	250
Minimum breaking load: (N/mm <sup>2</sup> )	290



# DATASHEET

2836709 - T3A-33-3S

