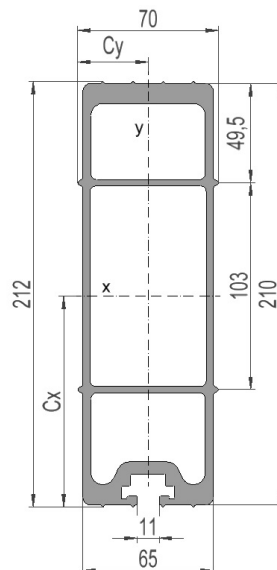


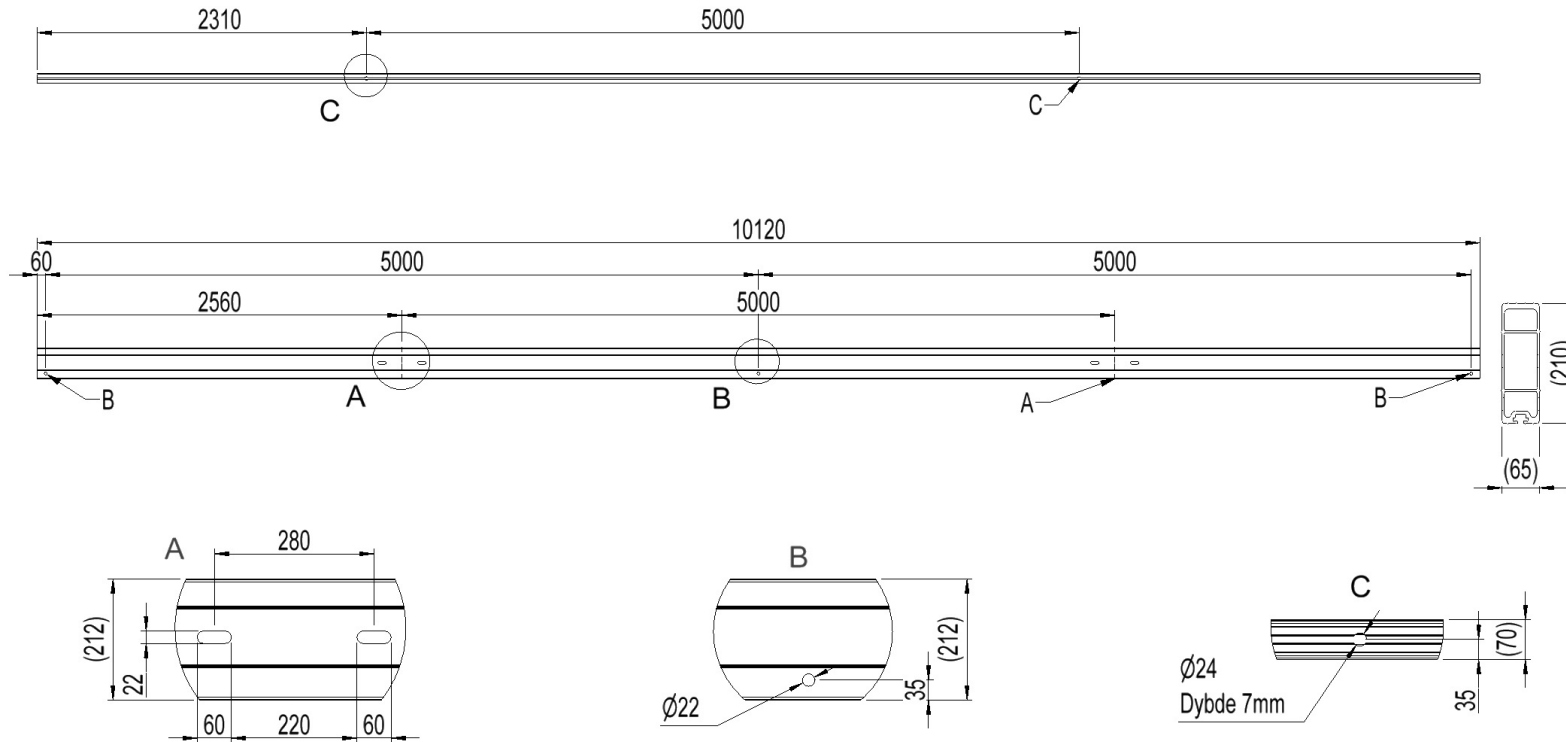
## 2836723 - Load-bearing crossbar T5050-5S

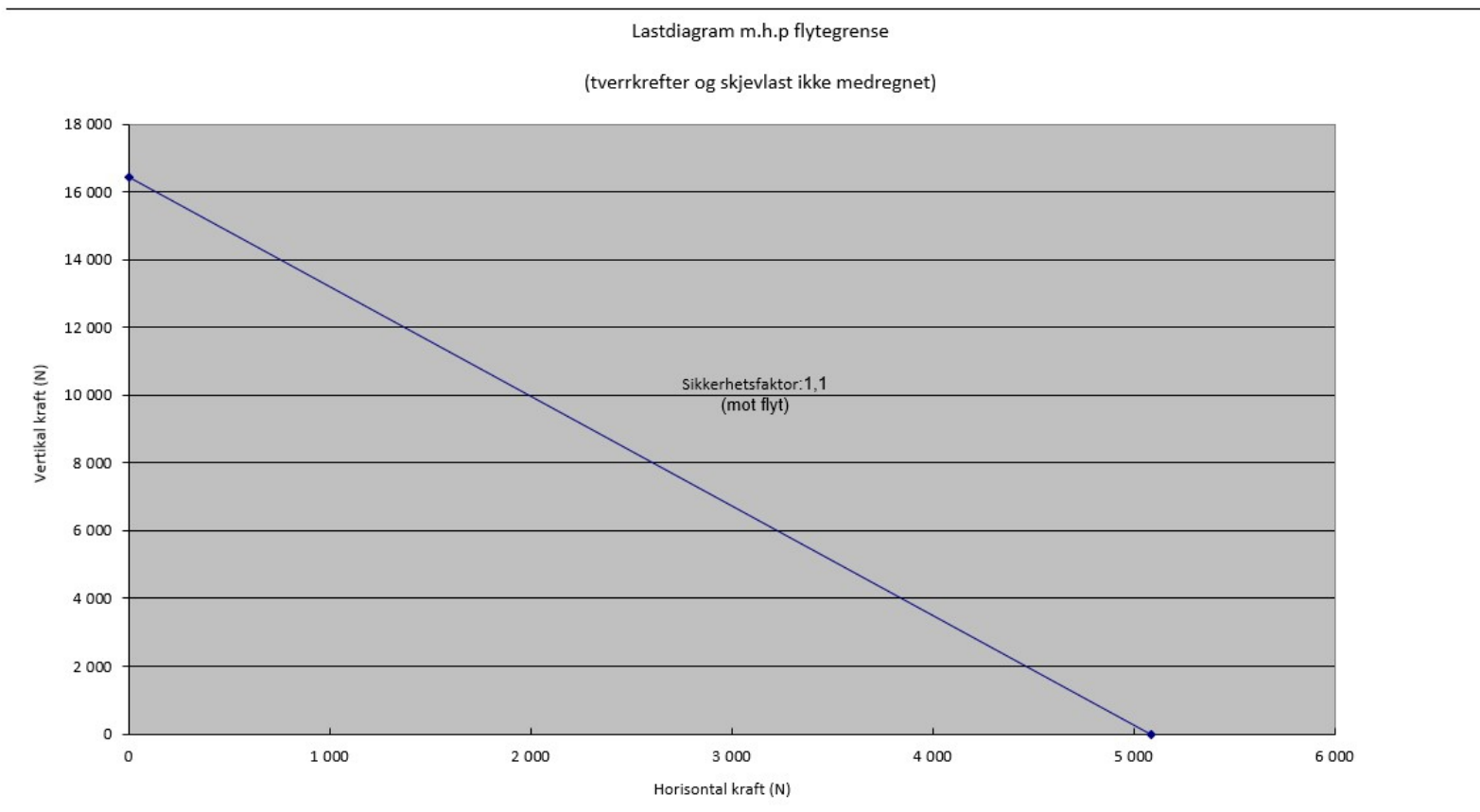
Cross arm type	H/A-pole
Pole distance	5m
Phase distance	5m
Pole fastening	280mm-single poleclamp

### Crossbar profile P5 (standing)

Weight: (kg/m)	8.653
Cross section: (mm <sup>2</sup> )	3205
Material:	Extruded aluminum, brown anodized
Alloy:	AlMgSi 6082-T6
Moment of resistance: (mm <sup>3</sup> )	W <sub>x</sub> = 180 557 W <sub>y</sub> = 55 967
Area moment of inertia: (mm <sup>4</sup> )	I <sub>x</sub> = 18 945 834 I <sub>y</sub> = 1 958 855
Center distance for I <sub>x</sub> : (mm)	C <sub>x</sub> = 104,93
Center distance for I <sub>y</sub> : (mm)	C <sub>y</sub> = 35,00
Minimum yield strength 0,2: (N/mm <sup>2</sup> )	250
Minimum breaking load: (N/mm <sup>2</sup> )	290







Total bøyning travers i forhold til last

