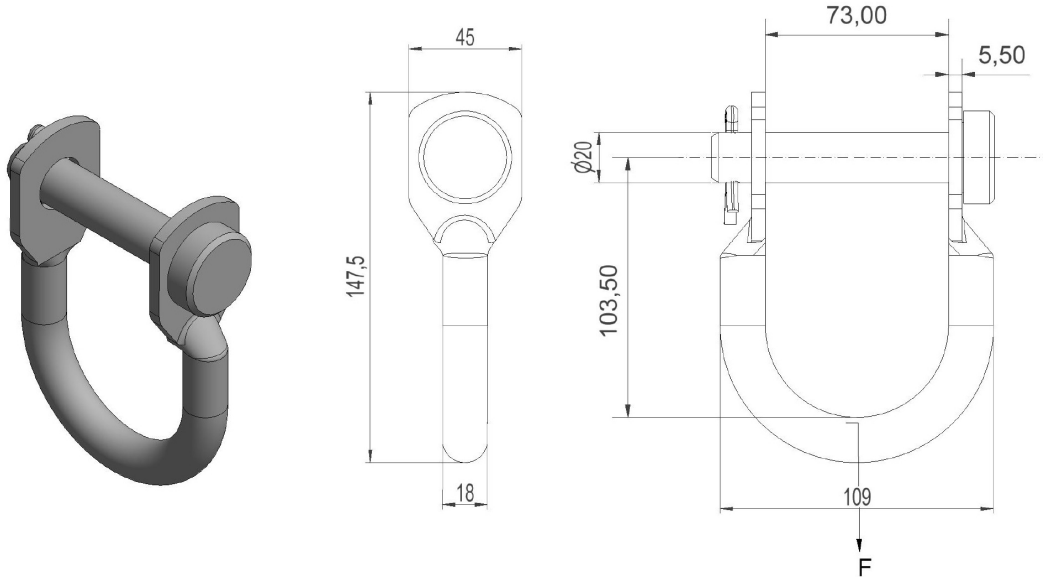


## 2836730 - Phase bracket BH65



Description	Phase stirrup bracket. For crossbar P4, P5, width 65. Unit set of 3.
Unit	SET
Weight	2,95 kg
Material	Steel galvanised
Breaking load (static)	100kN