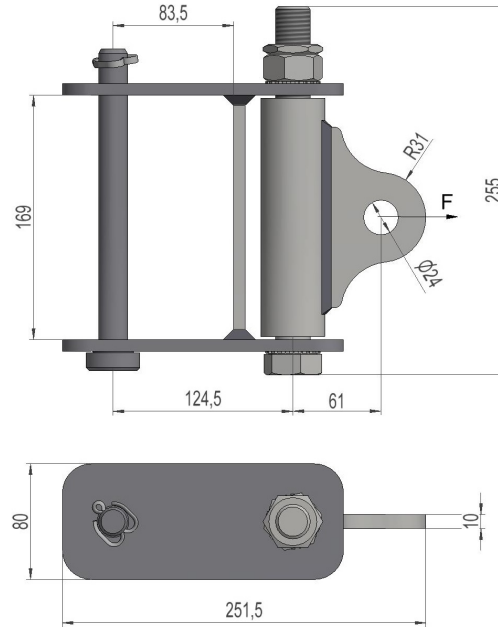


2836733 - Phase bracket F160-8E



Description	anchorsfeste one-sided. For crossbar P8, width 160. Unit set of 3.
Unit	SET
Weight	17,1 kg
Material	Steel galvanised
Breaking load (static)	170kN
Hardness	Flag; 200HB