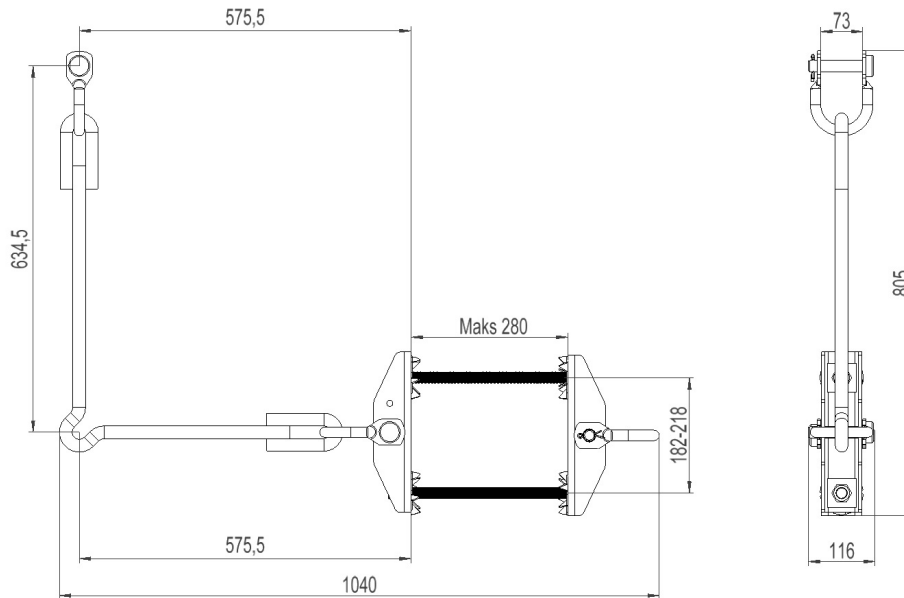


## 2836738 - Angle brace VB



Description	Angle brace for crossbar T3V, profile P4 and P5
Unit	SET
Weight	40,1 kg
Material	Steel galvanised