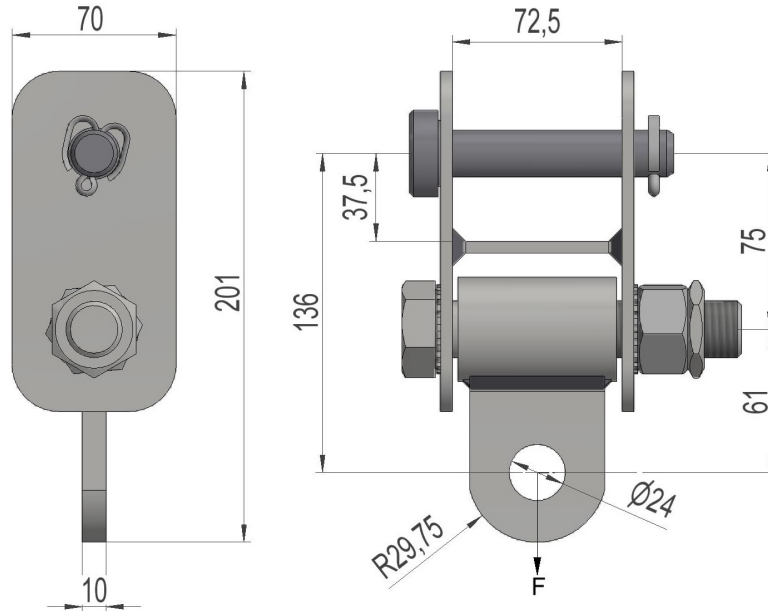


2836740 - Phase bracket FH65



Description	Phase bracket. For crossbar P4, P5, width 65. Unit set of 3.
Unit	SET
Weight	7,77 kg
Material	Steel galvanised
Breaking load (static)	160kN
Hardness	Flag; 200HB