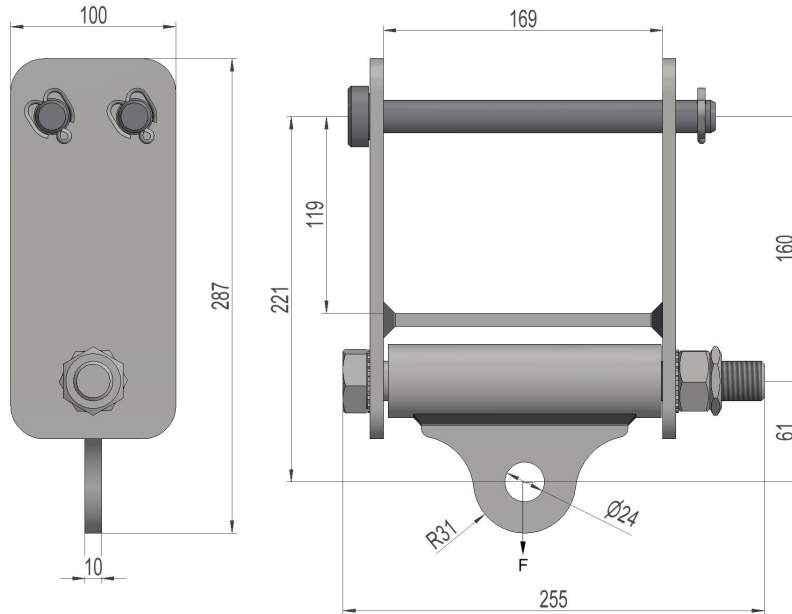


## 2836742 - Phase bracket FH160E



Description	Phase bracket . For crossbar P7, width 160. Unit set of 3.
Unit	SET
Weight	19,65 kg
Material	Steel galvanised
Breaking load (static)	170kN
Hardness	Flag; 200HB