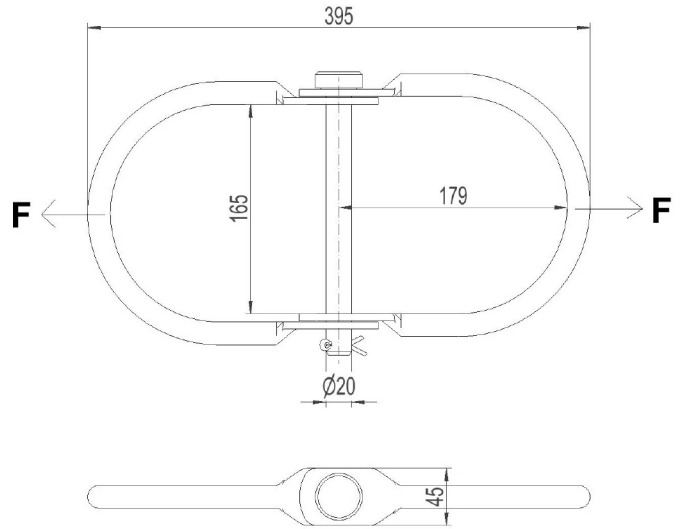
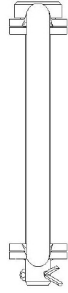


2836743 - Phase bracket B160T2



Description	Phase stirrup bracket two-sided for toppline. Suits crossbar P3, P8, width 160. Unit set of 2.
Unit	SET
Weight	5 kg
Material	Steel galvanised
Breaking load (static)	115kN