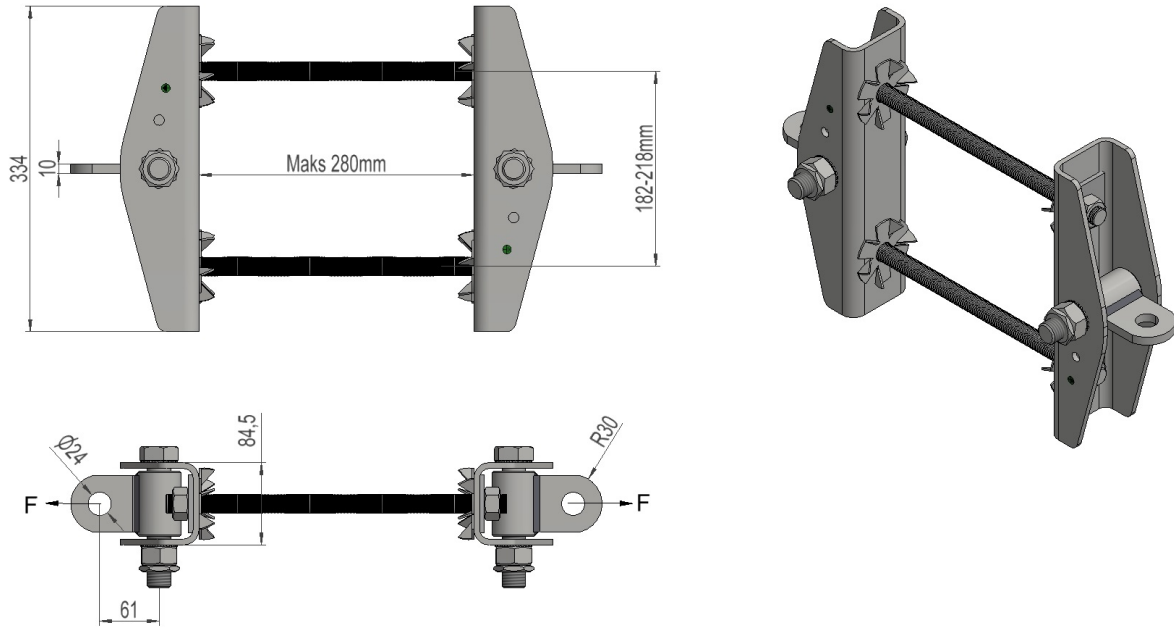


## 2836744 - Phase/wire bracket FB160



|                        |  |
|------------------------|--|
| Description            | Phase/wire bracket two-sided.<br>With bolts M20 and bolt distance 182-218mm. |
| Unit                   | PSC  |
| Weight                 | 11,6 kg  |
| Material               | Steel galvanised   |
| Breaking load (static) | 160kN  |
| Hardness               | Flag; 200HB  |