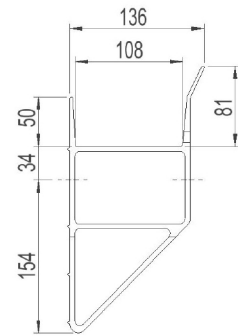
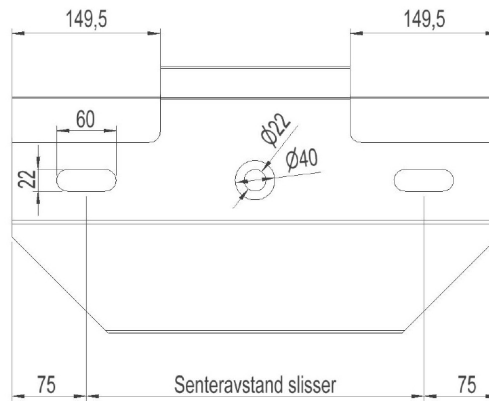
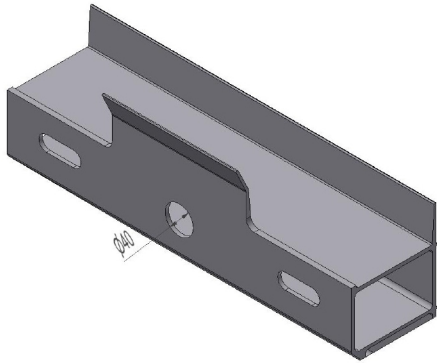


2836746 - Crossbar support ST107S



Elnummer	Type	Senteravstand slisser
2836746	ST107S	280mm
2836409	ST107-34	340mm
2836442	ST107-42	420mm
2836445	ST107-50	500mm

Description	Support for crossbar width 107mm. Oblong hole distance 280mm.
Unit	PSC
Weight	3,95 kg
Material	Aluminium, anodised-brown
Pole fastening	Bolt, 280mm-single poleclamp