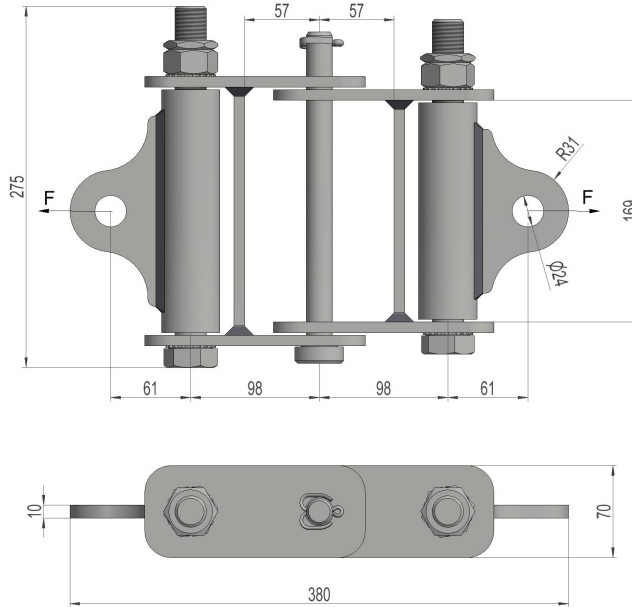


2836747 - Phase bracket F160-3TA



Description	Phase bracket two-sided. For crossbar P3 width 160. Unit set of 3.
Unit	SET
Weight	29,7 kg
Material	Steel galvanised
Breaking load (static)	170kN
Hardness	Flag; 200HB