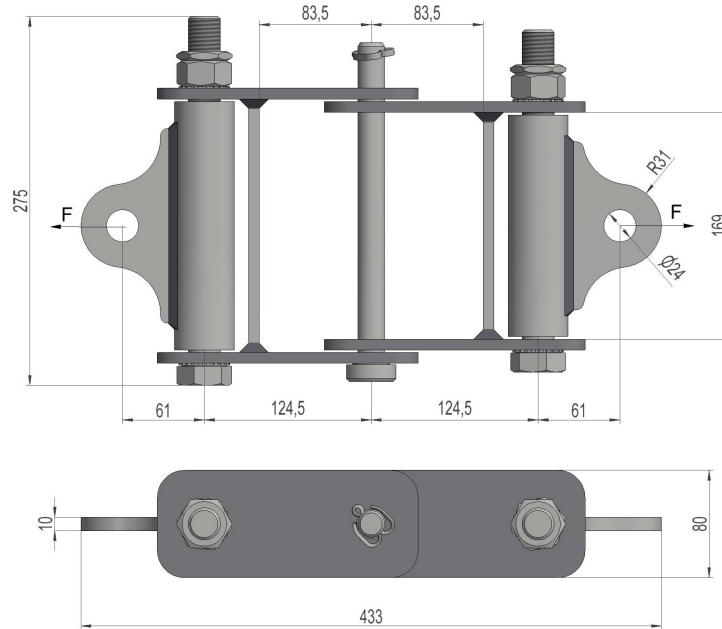


## 2836749 - Phase bracket F160-8TA



Description	Phase bracket two-sided. For crossbar P8, width 160. Unit set of 3.
Unit	SET
Weight	34,2 kg
Material	Steel galvanised
Breaking load (static)	170kN
Hardness	Flag; 200HB