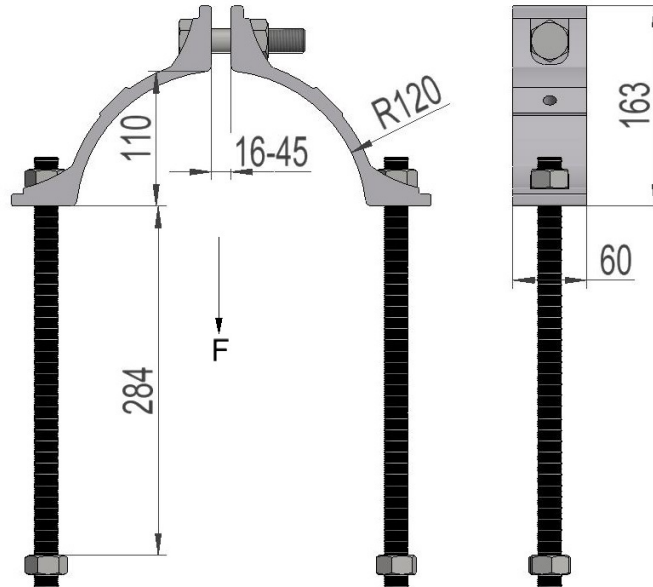


2836750 - Pole clamp MK1630



Description	Aluminium pole clamp with bolts M20x350. For pole diameter Ø180-275. Selection table with regards to crossbar type and pole diameter is on our website.
Unit	PSC
Weight	2,7 kg
Material	Aluminium, anodised-brown
Breaking load (static)	110kN