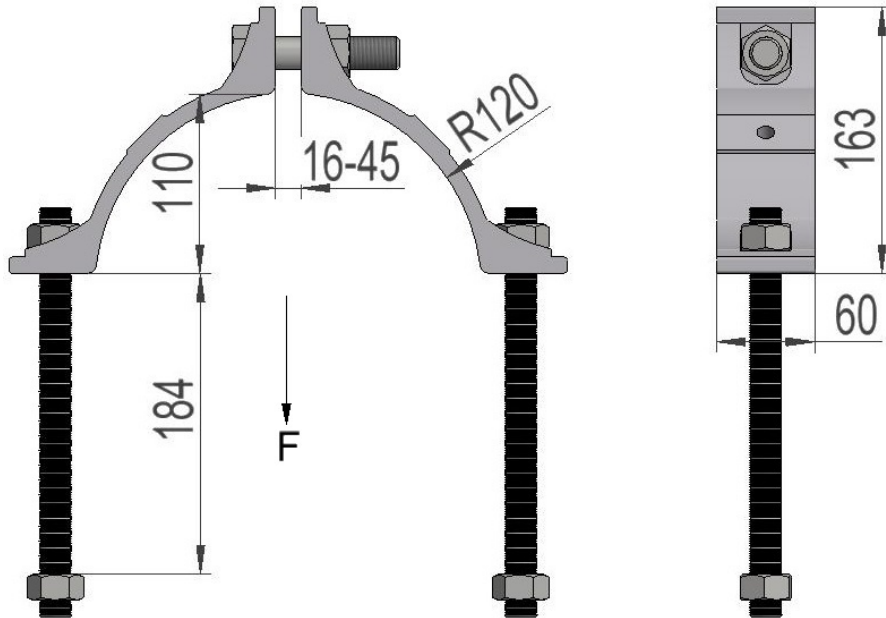


2836752 - Pole clamp MK1624



Description	Aluminum pole clamp with bolts M20x250. For pole diameter Ø180-200. Selection table with regards to crossbar type and pole diameter is on our website.
Unit	PSC
Weight	2,38 kg
Material	Aluminium, anodised-brown
Breaking load (static)	110kN