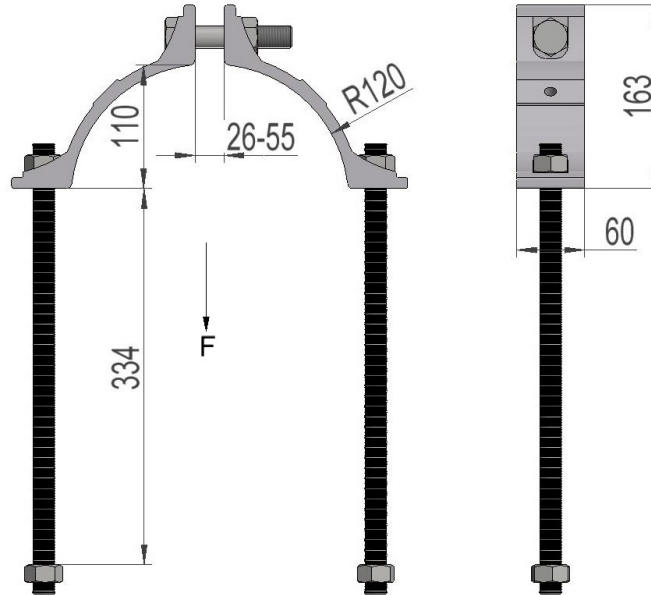


## 2836754 - Pole clamp MK2432



Description	Aluminium pole clamp with bolts M20x400. For pole diameter Ø190-280. Selection table with regards to crossbar type and pole diameter is on our website.
Unit	PSC
Weight	2,7 kg
Material	Aluminium, anodised-brown
Breaking load (static)	130kN