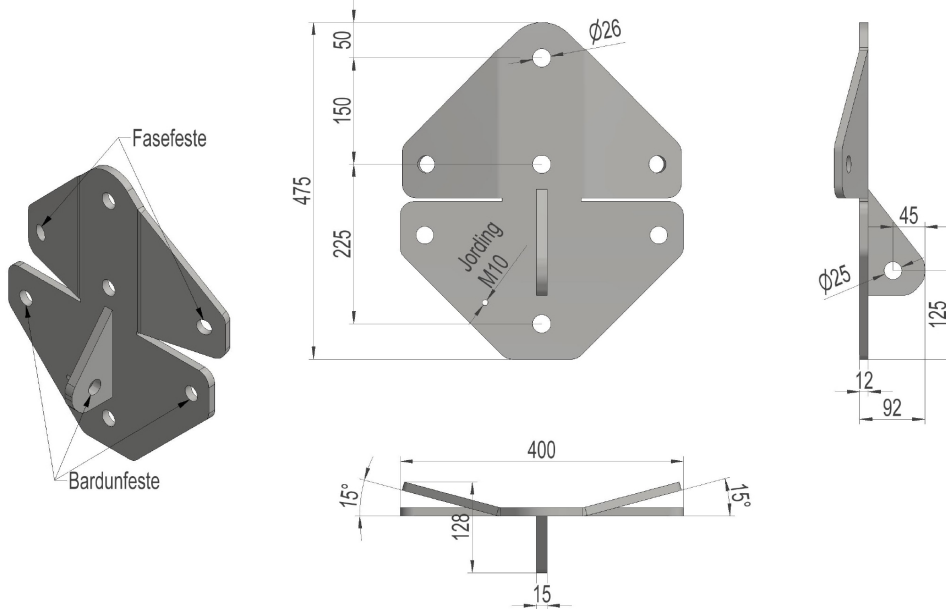


## 2836756 - Phase/wire bracket FBV40



Description	Phase/wire bracket for an angle of 20-40.
Unit	PSC
Weight	13,033 kg
Material	Steel galvanised
Yield strength (static)	160kN
Breaking load (static)	200kN
Hardness	170HB