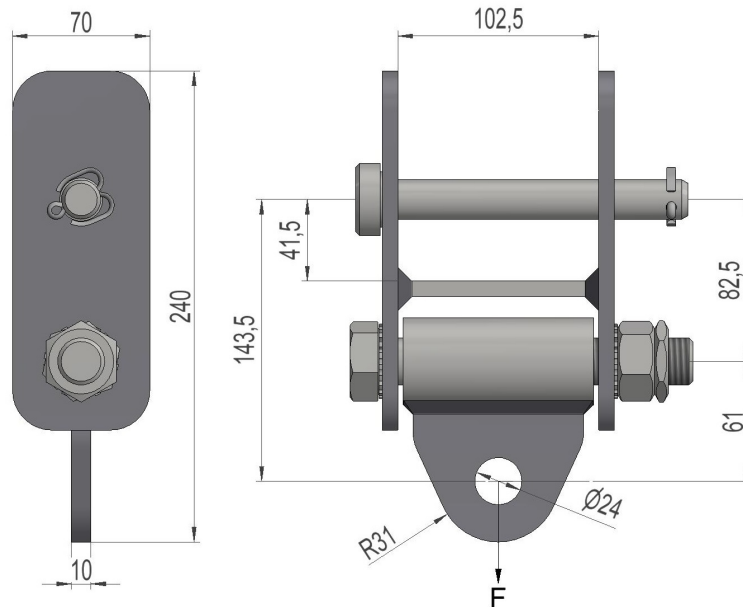


2836781 - Phase bracket FH95



Description	Phase bracket. For crossbarer P9, width 95. Unit set of 3.
Unit	SET
Weight	8,04 kg
Material	Steel galvanised
Breaking load (static)	160kN
Hardness	Flag; 200HB