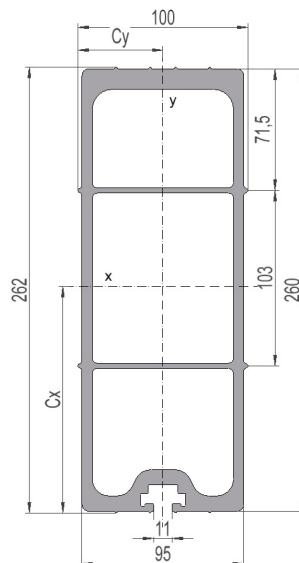


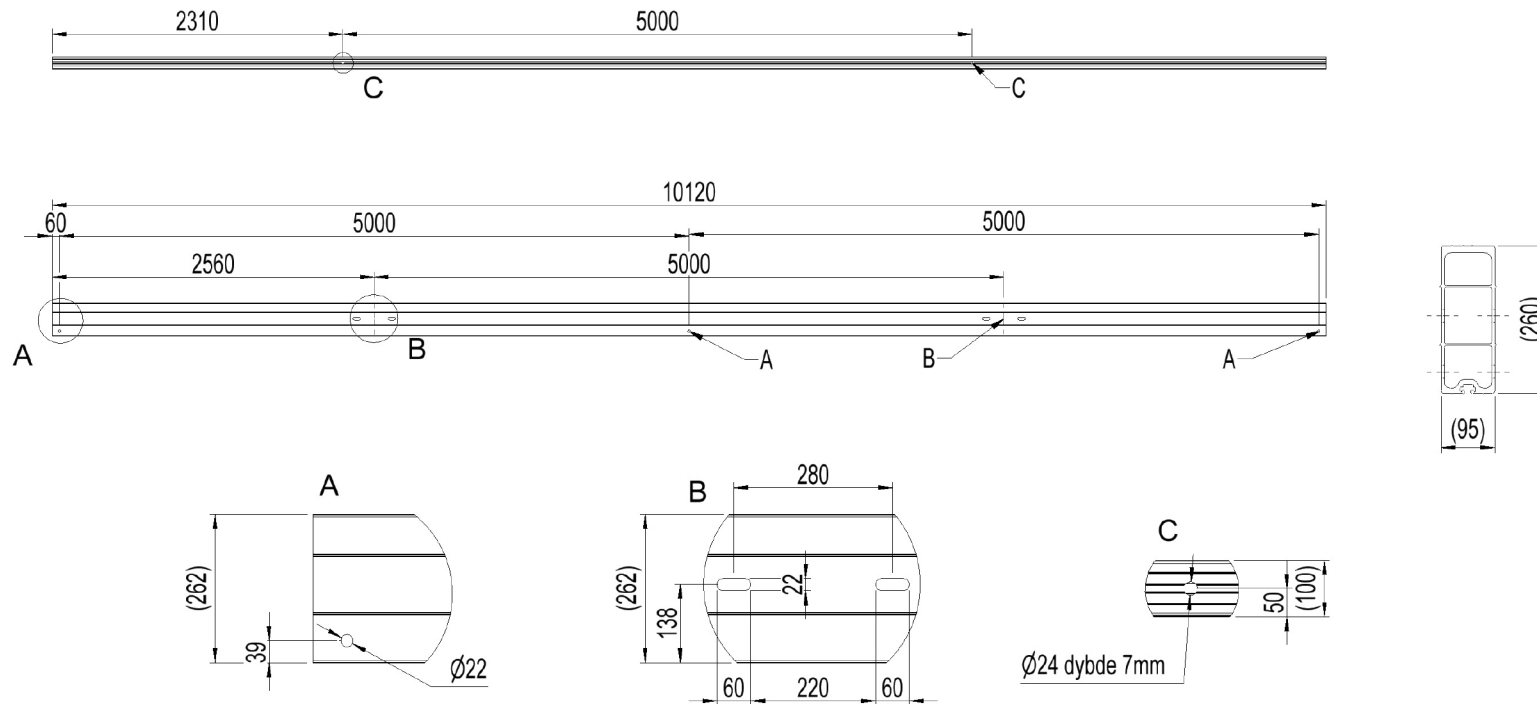
2836784 - Load-bearing crossbar T5050-9S

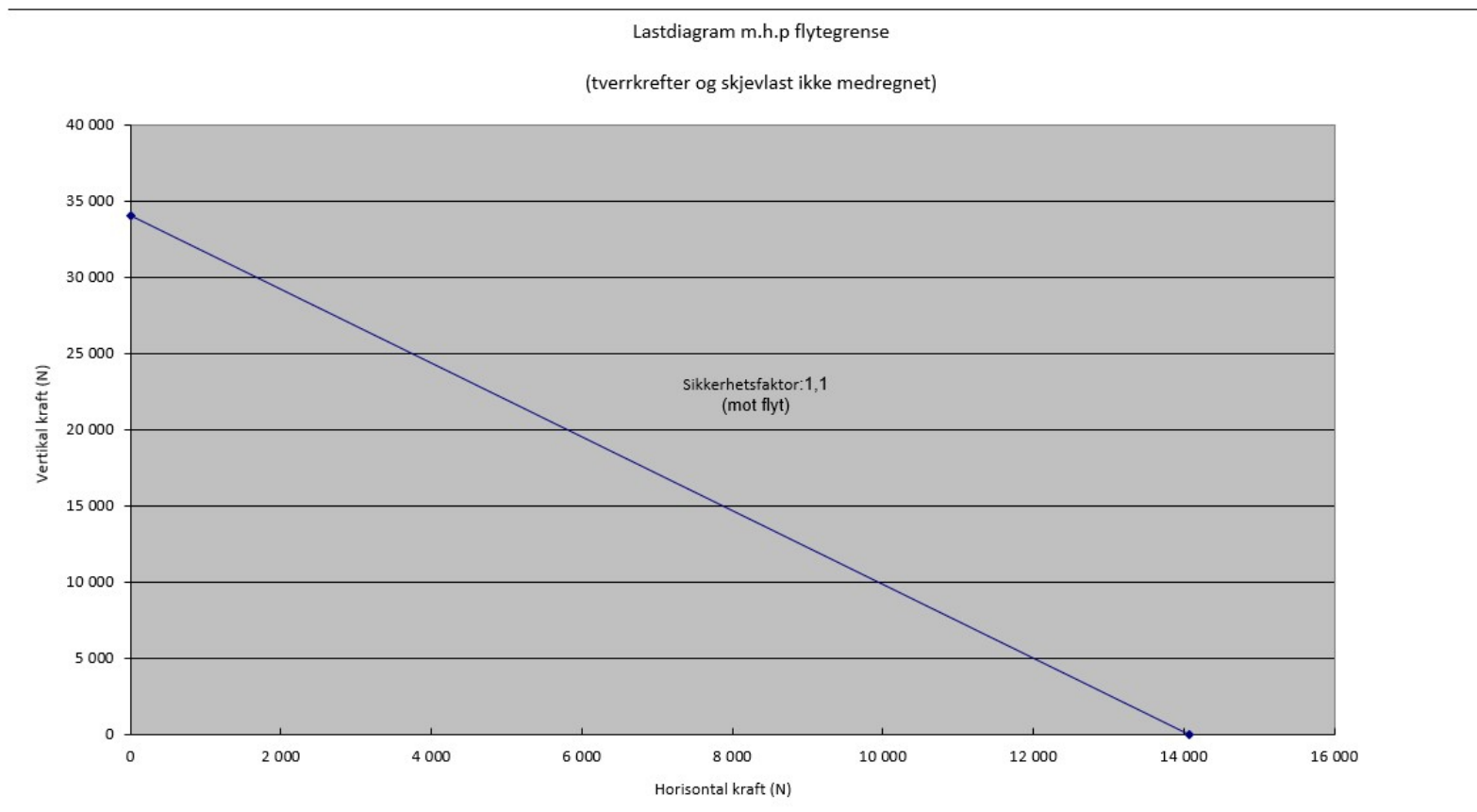
Cross arm type	H/A-pole
Pole distance	5m
Phase distance	5m
Pole fastening	280mm-single poleclamp

Crossbar profile P9 (standing)

Weight: (kg/m)	15.455
Cross section: (mm ²)	5724
Material:	Extruded aluminum, brown anodized
Alloy:	AlMgSi 6082-T6
Moment of resistance: (mm ³)	W _x = 373 840 W _y = 154 772
Area moment of inertia: (mm ⁴)	I _x = 49 796 982 I _y = 7 738 580
Center distance for I _x : (mm)	C _x = 133,20
Center distance for I _y : (mm)	C _y = 50,00
Minimum yield strength 0,2: (N/mm ²)	250
Minimum breaking load: (N/mm ²)	290







Total bøyning travers i forhold til last

