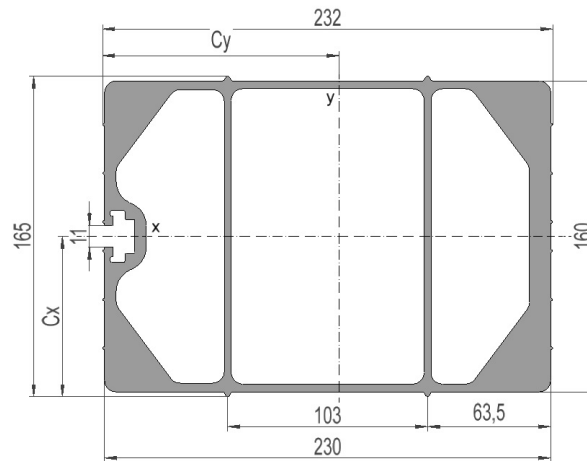


## 2836788 - Anch. crossbar T3AO-4545-7S

Cross arm type	Triple pole
Pole distance	4,5m
Phase distance	4,5m
Pole fastening	280mm-single poleclamp

### Crossbar profile P7 (laying)

Weight: (kg/m)	22.225
Cross section: (mm <sup>2</sup> )	8243
Material:	Extruded aluminum, brown anodized
Alloy:	AlMgSi 6082-T6
Moment of resistance: (mm <sup>3</sup> )	W <sub>x</sub> = 345 747 W <sub>y</sub> = 550 278
Area moment of inertia: (mm <sup>4</sup> )	I <sub>x</sub> = 28 524 112 I <sub>y</sub> = 67 111 384
Center distance for I <sub>x</sub> : (mm)	C <sub>x</sub> = 82,50
Center distance for I <sub>y</sub> : (mm)	C <sub>y</sub> = 121,96
Minimum yield strength 0,2: (N/mm <sup>2</sup> )	250
Minimum breaking load: (N/mm <sup>2</sup> )	290

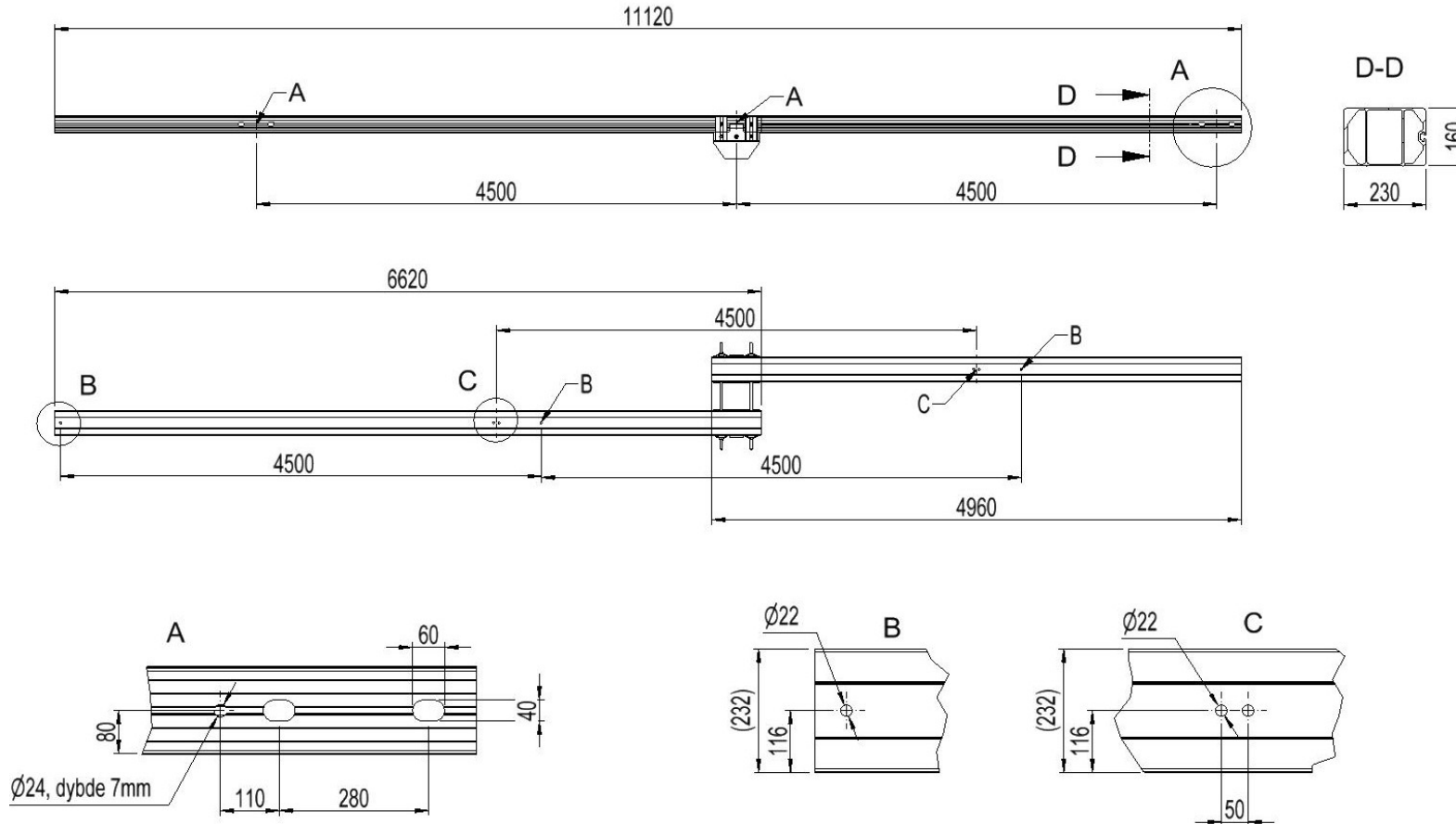


# DATASHEET

2836788 - T3AO-4545-7S

**EL-tjeneste as**

Norwegian quality and innovation



Sales and development, Trondheim

[www.el-tjeneste.no](http://www.el-tjeneste.no)

Østre Rosten 84G

7075 Tiller

Phone: 976 74 000

Email: [info@el-tjeneste.no](mailto:info@el-tjeneste.no)

Factory and warehouse, Steinkjer

Jæktsmedgata 4

7725 Steinkjer

Phone: 976 74 000

Email: [info@el-tjeneste.no](mailto:info@el-tjeneste.no)