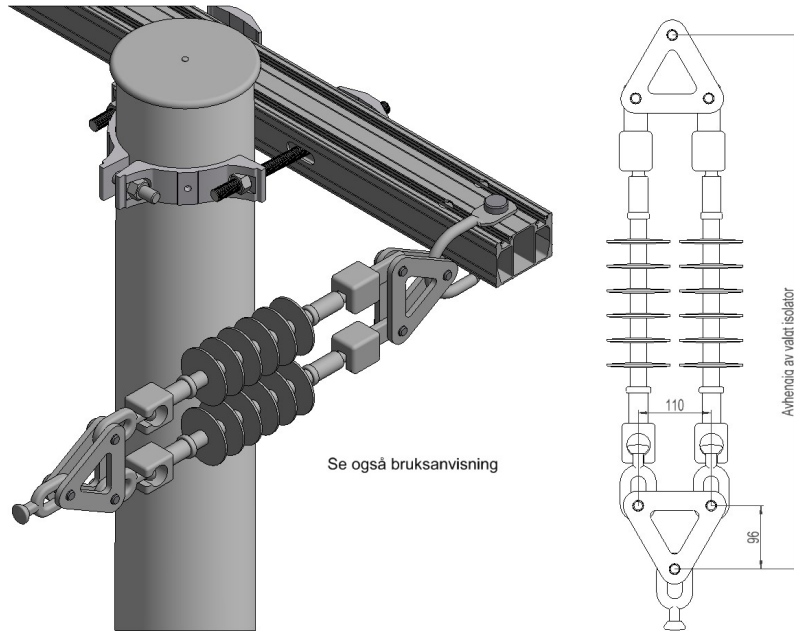


2836790 - Yoke FK7



<p>Description</p>	<p>Yoke intended for composite insulators where reinforcement is required. Adapted to all composite insulators with ball coupling and bolt. Delivered in sets of 3 pcs.</p>
<p>Unit</p>	<p>SET</p>
<p>Weight</p>	<p>15,65 kg</p>
<p>Material</p>	<p>Steel galvanised</p>